

PRODUCT SPECIFICATION SHEET

UFO Rod & Clamp Lighting System



Rev. C1



The Rod and Clamp assembly allows fibers and lenses to be surface mounted to a shelf or to the sides or bottom of a cabinet.

Rods are made to the customers specified length and come as standard in black although they and the clamps can be custom painted to any standard RAL color as required.

The rods are typically mounted using a foot on the top or underside of the mounting surface.

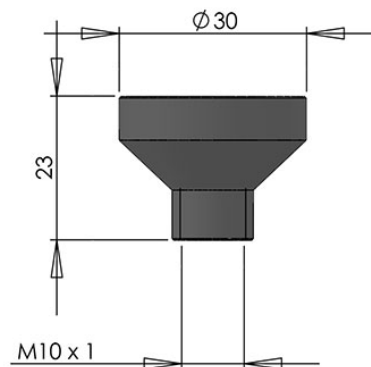
A number of lenses can be supported by one rod, depending on the length of rod used. The fiber tails run separately to each lens.

Lenses normally used with the rod and clamp are the UFO25D and the UFO26D, however, being special assemblies made to order, the rod and clamp system can be adapted to the required application

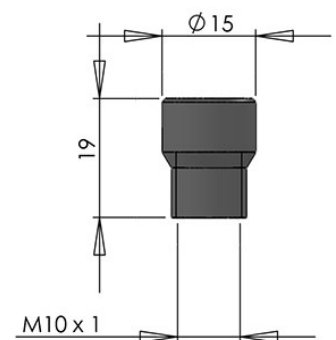
Rod length and number of fittings can be supplied to specification. One fiber optic tail is required per fitting.

GENERAL INFORMATION

Trumpet	UFO 25D or UFO 26D trumpet. Custom options also available.
Focus Range	UFO 25D - 40° - 60° / UFO 26D - 25° - 45°
Material	Aluminum or stainless steel
Colors	To customer specification
Weight	Varies depending on rod length and no. of fittings
Mounting Method	Mounting foot supplied
Ferrule Size	M10
Fiber Sizes	2mm to 8mm diameter
Ordering Code	UFO RC



UFO 26D Trumpet



UFO 25D Trumpet

Note that dimensions are shown in mm

