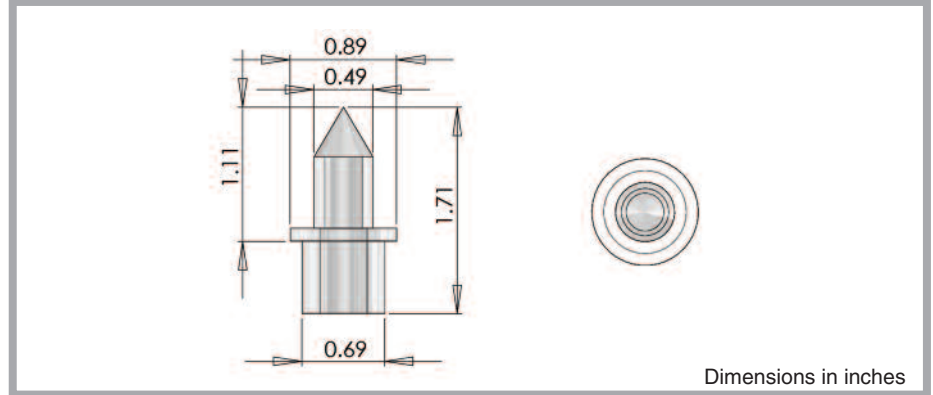


UFO 12DM Sparkle Fitting



An acrylic sparkle point for an M10 ferrule.

Description	
Material	Polycarbonate
Colors available	Clear
Size	0.49" (12.5mm)
Weight	0.01lb (5.9g)
Mounting hole size	0.71" (18mm)
Ferrule size	M10
Min. fiber size	0.08" (2mm)
Max. fiber size	0.31" (8mm)

Ideal for internal signage applications and sparkle effects on high ceilings.