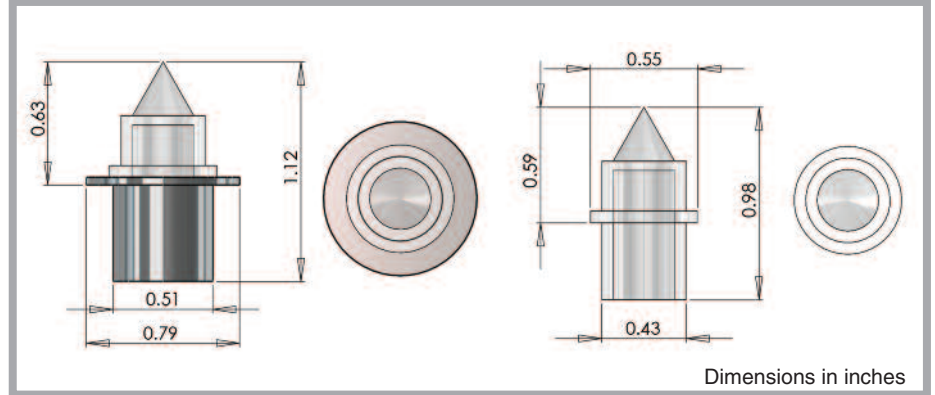


# End Fitting Specification



## UFO 12DS / 12DSF Sparkle Fitting



An acrylic sparkle point for an M8 ferrule.

Manufactured from clear acrylic, the UFO12DS is supplied as a sparkle bullet only. The 12DS/F is identical but additionally has a colored flange.

Description	UFO 12DS	UFO 12DS/F
Material	Polycarbonate	Polycarbonate
Colors available	Clear	Clear body with colored flange in black, white or chrome
Size	0.55" (14mm)	0.79" (20mm)
Weight	0.03lb (1.3g)	0.005lb (2.1g)
Mounting hole size	0.43" (11mm)	0.51" (13mm)
Ferrule size	M8	M8
Min. fiber size	0.08" (2mm)	0.08" (2mm)
Max. fiber size	0.24" (6mm)	0.24" (6mm)

Ideal for internal signage applications and sparkle effects on high ceilings.