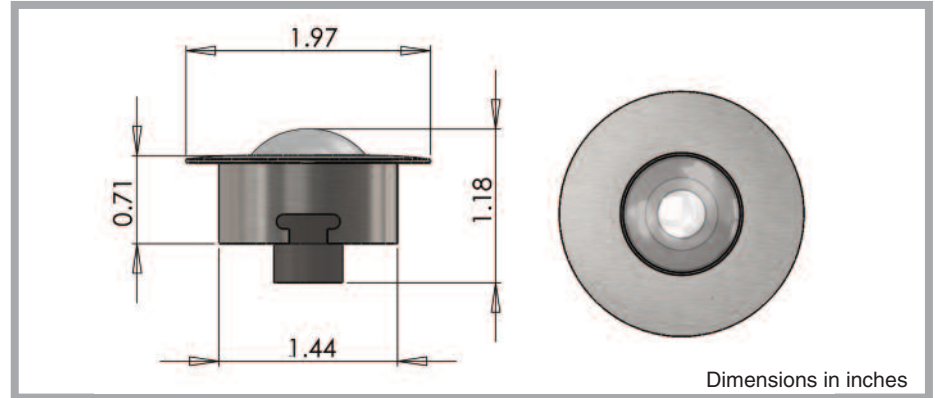


End Fitting Specification



UFO 13DA Downlight



A fixed lens downlight fitting with smooth flange, secured through ceiling with spring clips.

Available in a range of finishes, this fitting allows for the light beam to be focused. The fitting is also suitable for mounting in the base of a display case and illuminating upwards.

Description	
Lens	Clear focusing lens
Material	Aluminum, (stainless steel option available to special order)
Colors available	Polished aluminum, chrome, black, white
Focus range	20° - 45°
Flange size	Ø1.97" (50mm)
Weight	0.10lb (44.4g) (aluminum)
Mounting hole size	1.57" (40mm)
Mounting	Recessed, held by springs
Ferrule size	M10 or 0.31" (8mm) smooth
Min. fiber size	0.08" (2mm)
Max. fiber size	0.31" (8mm)

Our downlight fittings are suitable for use in a variety of different applications and are the ideal solution for the illumination of static objects within a display case or cabinet.

Uses include:

- Museum and gallery cabinet and display lighting
- Accentuation of pictures and other objects
- Illumination of shop displays