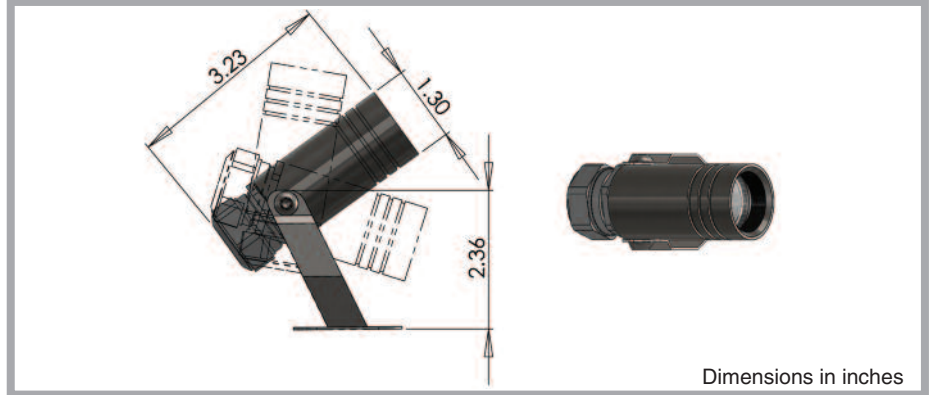


End Fitting Specification



UFO 1D Downlight



A wet area spotlight constructed from stainless steel and supplied with mounting bracket.

Suitable for use in water features, walls, gardens and other areas where a spotlight or narrow beam of light is desired. Can be mounted to any surface using the supplied bracket, or can be used with a ground spike fitting for placement in the ground.

Description	
Lens	Clear focusing lens
Focus range	12° - 22°
Material	Stainless steel
Colors available	Natural
Size	Ø1.30" (33mm)
Weight	0.62lb (281.6g)
Mounting	M6 screwfix through bracket
Ferrule size	M10
Min. fiber size	0.20" (5mm)
Max. fiber size	0.31" (8mm)

These fittings are suitable for use in a variety of different applications and, as well as wet area applications, they are the ideal solution for the illumination of static objects within a display case or cabinet where a spotlight is required.

Uses include:

- Outdoor and wet area spotlights
- Cabinet and display lighting
- Illumination of shop displays