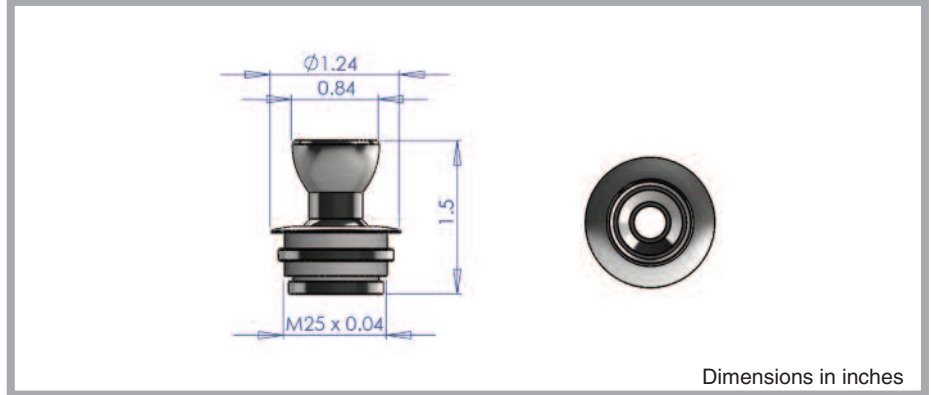


# End Fitting Specification



## UFO 29H Hermetic Downlight Fitting



The UFO 29H downlight fitting allows an airtight seal to be maintained within a display case when using fiber optics.

Available with two different trumpet options which take different lenses - one wide and one narrow, each of which provides a different beam angle. Choice of trumpet to be specified on ordering.

Description	
Glass	Domed focusing lens
Focus range	25° - 65° or 70° - 120°
Material	Aluminum
Colors available	Polished aluminum, chrome, black, white
Flange size	1.24" (31.5mm)
Weight	0.04lb (19.2g)
Mounting hole size	1.06" (27mm)
Ferrule size	M8
Min. fiber size	0.08" (2mm)
Max. fiber size	0.24" (6mm)

These fittings are made from aluminum and the air seal is maintained by a series of three o-rings around the flange, eyeball and ferrule.

The ferrule is tightened fully onto the fitting and the focus adjustment is made using the trumpet. The further onto the ferrule the trumpet is screwed, the wider the beam.

The tight tolerances attained during manufacture help ensure many years of reliable operation.