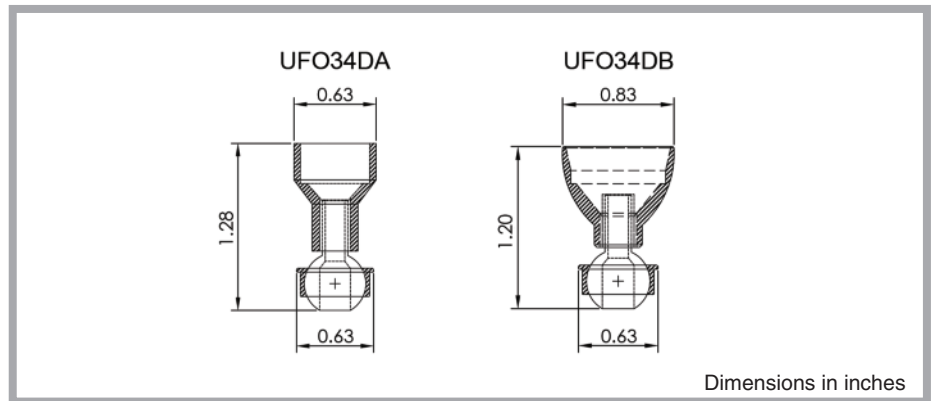


# End Fitting Specification



## UFO 34D Downlight



**A mini adjustable downlight fitting with trumpet which is primarily used in our range of light bar systems and mounting extrusions.**

Available in a range of finishes, this fitting can be rotated and tilted to point directly at any objects to be illuminated. The fitting also allows for the light beam to be focused.

The 34D is available with two trumpet options - see drawing above for details.

Description	
Lens	Clear focusing lens
Material	Acrylic
Colors available	Black as standard
Focus range	UFO34DA - 20° - 45° UFO34DB - 55° - 60°
Flange size	Ø0.63" (16mm)
Overall Tilt	60°
Rotate	360°
Weight	UFO34DA - 0.007lb (3.2g) UFO 34DB - 0.01lb (5.5g)
Mounting hole size	0.55" (14mm)
Ferrule type	Custom ferrule
Min. fiber size	0.04" (1mm)
Max. fiber size	0.16" (4mm)

Our downlight fittings are suitable for use in a variety of different applications and are the ideal solution for the illumination of static objects within a display case or cabinet.

Uses include:

- Museum and gallery cabinet and display lighting
- Accentuation of pictures and other objects
- Illumination of shop displays