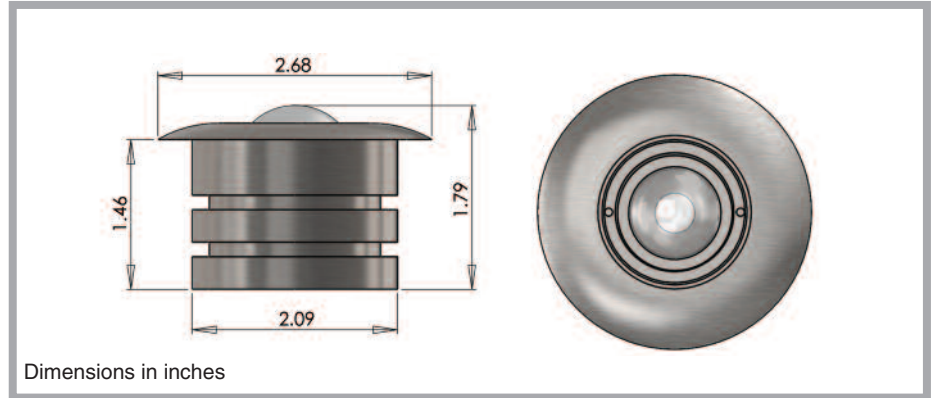
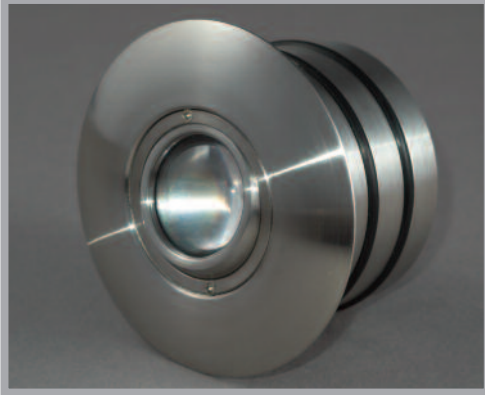


End Fitting Specification



UFO E3 Submersion Fitting



A large submersible eyeball fitting

Suitable for mounting in Certikin 2" ABS pool pipe with an internal diameter of 2.09". Unlike the E1 & E2 fittings, the E3 does not require a separate back box. Accepts larger fiber than E2 fitting which is better for swimming pools.

A water resistant bung is also available for fitting in the opposite end of the pool pipe to provide extra protection against water ingress.

Description	
Glass	Focusing eyeball
Material	Stainless steel
Colors available	Natural
Flange size	2.68" (68mm)
Weight	1.26lb (569.3g)
Focus range	20° to 40°
Ferrule size	M10 or 0.31" (8mm) smooth
Min. fiber size	0.08" (2mm)
Max. fiber size	0.31" (8mm)

Our submersible eyeball fitting range is suitable for installation in constant immersion settings such as swimming pools, ponds and water features.

Mainly used to provide side-lighting they project a beam of light from the mounting surface through the water.

Use of a separate backbox means that they can be pre-fitted when concrete is being poured or retro fitted into existing stone or concrete. A wide flange allows superior sealing against smooth surfaces. The eyeball part of the fitting is sealed against water ingress with an o-ring compressed by a locking ring.