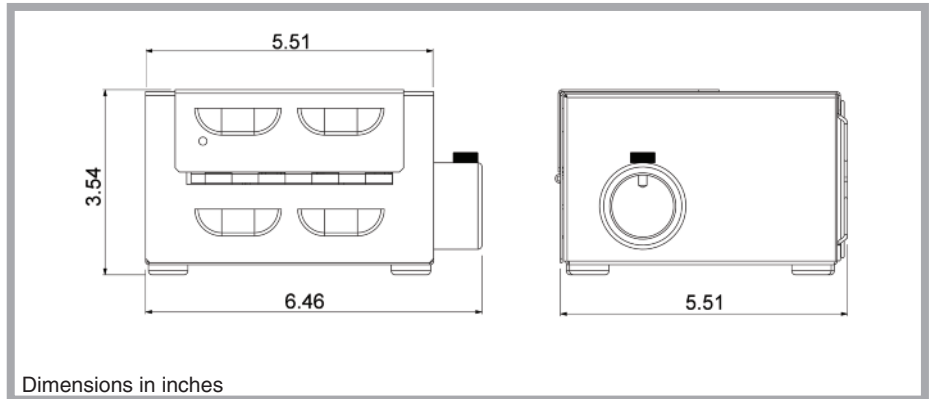


Illuminator Specification



Ixion Tungsten Halogen Illuminator



A very compact tungsten halogen illuminator, the Ixion is suitable for use with either glass or PMMA fiber.

Powered by an external 12VDC power supply unit, the Ixion can be used in countries with either 240VAC or 120VAC line electrical supplies.

The Ixion features very low noise and heat output and is available with a choice of five lamp sizes - 35W, 42W, 50W, 75W or 100W.

Description	35W	42W	50W	75W	100W
Port connector size	1.18" (30mm) diameter	1.18" (30mm) diameter	1.18" (30mm) diameter	1.18" (30mm) diameter	1.18" (30mm) diameter
Fiber type	Glass/PMMA	Glass/PMMA	Glass/PMMA	Glass/PMMA	Glass/PMMA
Supply voltage	120VAC 60 Hz	120VAC 60 Hz	120VAC 60 Hz	120VAC 60 Hz	120VAC 60Hz
Lamp power	35W	42W	50W	75W	100W
Input power @ 120VAC	33.6VA	40.8VA	69.6VA	91.2VA	127.2VA
Start up current @ 120VAC	0.149A	0.172A	0.31A	0.49A	0.73A
Running current @ 120VAC	0.14A	0.17A	0.29A	0.38A	0.53A
Min. ambient temperature	-20°C	-20°C	-20°C	-20°C	-20°C
Max. ambient temperature	40°C	40°C	40°C	40°C	40°C
Thermal protection	Thermal switch	Thermal switch	Thermal switch	Thermal switch	Thermal switch
Fan fuse	0.5A	0.5A	0.5A	0.5A	0.5A
Power cord	External power supply	External power supply	External power supply	External power supply	External power supply
Fan type	Papst 8412NGLE (12V)	Papst 8412NGLE (12V)	Papst 8412NGLE (12V)	Papst 8412NGLE (12V)	Papst 8412NGLE (12V)
Lamp type	MR16	MR16	MR16	MR16	MR16
Lamp model	FMT	Philips 13861	EXN	EYF	Osram 64637
Lamp color temperature	2950K	2900K	3000K	3000K	3000K
Acoustic rating	31.0 dB(A)	31.0 dB(A)	31.0 dB(A)	31.0 dB(A)	31.0 dB(A)
Operating environment	Indoor / dry	Indoor / dry	Indoor / dry	Indoor / dry	Indoor / dry
Protection rating	IP20	IP20	IP20	IP20	IP20
Material	Sheet steel	Sheet steel	Sheet steel	Sheet steel	Sheet steel
Color	Black	Black	Black	Black	Black
Size	6.46" x 5.51" x 3.54"	6.46" x 5.51" x 3.54"	6.46" x 5.51" x 3.54"	6.46" x 5.51" x 3.54"	6.46" x 5.51" x 3.54"
Weight	1.98 lb (0.9kg)	1.98 lb (0.9kg)	1.98 lb (0.9kg)	1.98 lb (0.9kg)	1.98 lb (0.9kg)

For current specification part numbers, please see the illuminator configuration tool on our website.

