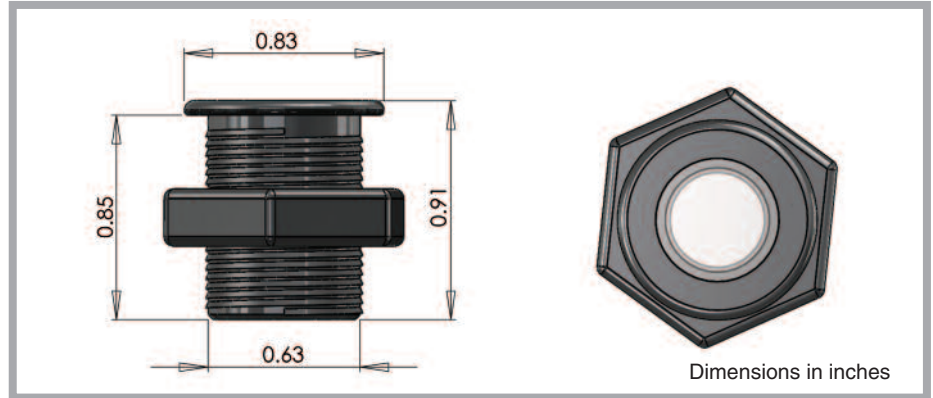
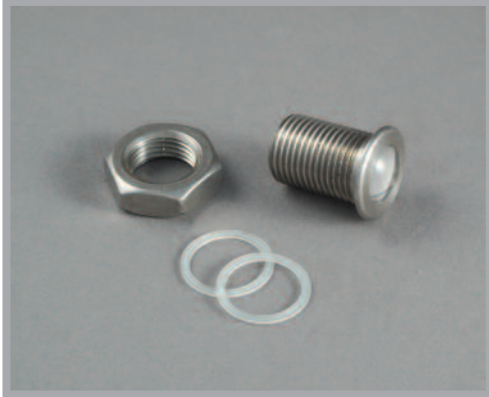


End Fitting Specification



UFO P17T Submersible Paver Fitting



A small, round wet area paver manufactured from stainless steel with a clear glass focusing lens.

This fitting has a threaded body and is supplied with a backnut to allow fixing through a thin substrate.

Description	
Glass	Clear domed lens
Beam angle	60°
Material	Stainless steel
Colors available	Natural
Flange size	0.83" (21mm)
Weight	0.08lb (37.5g)
Mounting hole size	0.67" (17mm)
Ferrule size	M10 or 0.31" (8mm) smooth
Min. fiber size	0.08" (2mm)
Max. fiber size	0.31" (8mm)

The P17T fitting is popular in spa pools and baths where the nut can be used to fix it through the typically thin surface of either.

Whilst this fitting can be used in constant immersion conditions, it is not suitable for installation where it will be under significant pressure.