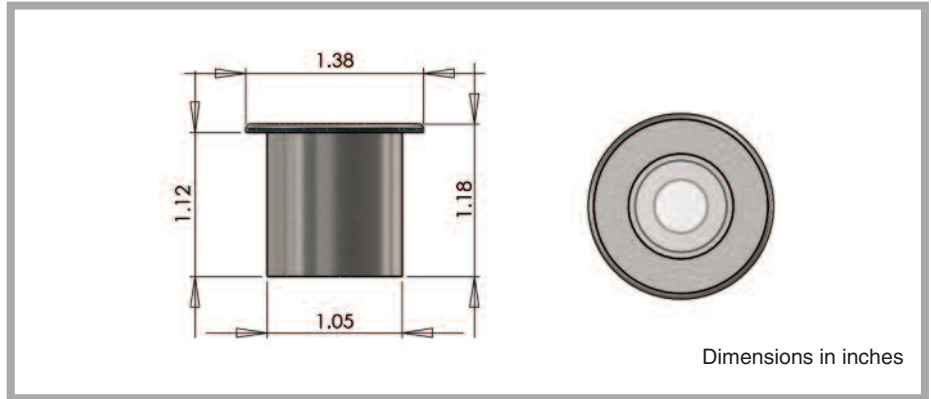
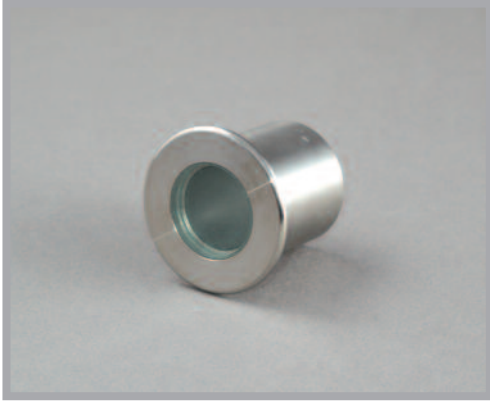


# End Fitting Specification



## UFO P3N Paver



**A round walkover paver manufactured from stainless steel with either clear or frosted glass.**

The clear glass gives greater light output and also allows the light to travel further, while the frosted glass creates more of a marker light effect.

Description	
Glass	Ø0.79" (20mm) clear or frosted glass
Beam angle	45°
Material	Stainless steel
Colors available	Natural
Flange size	Ø1.38" (35mm)
Weight	0.2lb (92.2g)
Mounting hole size	Ø1.10" (28mm)
Ferrule size	M10 or 0.31" (8mm) smooth
Min. fiber size	0.08" (2mm)
Max. fiber size	0.31" (8mm)

Part numbers for ordering: P3NC (clear glass) P3NF (frosted glass)

Our paver fittings are suitable for use in a variety of different applications and are the ideal solution to floor level lighting both indoors and outside.

Uses include:

- Marker lighting for pathways and entrances
- Wall washing, inside or out
- Uplighting columns or archways
- Mood lighting in any room in the house, including wet rooms and pool areas

Paver fittings can be installed in many surfaces including wooden floors, decking, paving, stair baseboard and concrete.