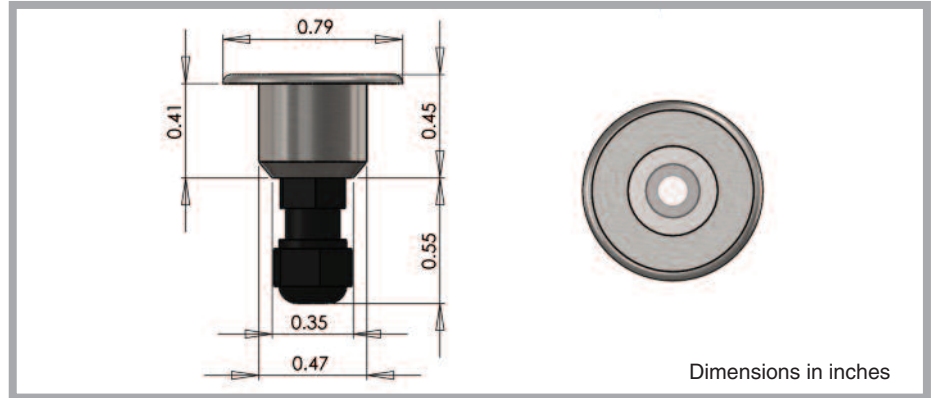


End Fitting Specification



UFO P4G Submersible Paver Fitting



The P4G is a small stainless steel end fitting with clear glass window for sheathed PMMA fibre of 0.06" (2.5mm) to 0.08" (3.0mm) active diameter.

It comes fitted with a nickel-plated brass gland to allow for connection to the fiber and to prevent moisture ingress below the lens.

Description	
Glass	Clear flat window
Beam angle	65°
Material	Stainless steel
Colors available	Natural
Flange size	0.79" (20mm)
Weight	0.03lb (12g)
Mounting hole size	0.47" (12mm)
Ferrule size	N/A
Min. fiber size	0.06" (2.5mm)
Max. fiber size	0.08" (3mm)

The P4G is suitable for use in swimming pool floors and other wet areas to give a starfield like effect, either indoors or outdoors.

It can also be used in pathways or paved areas to give a similar effect.