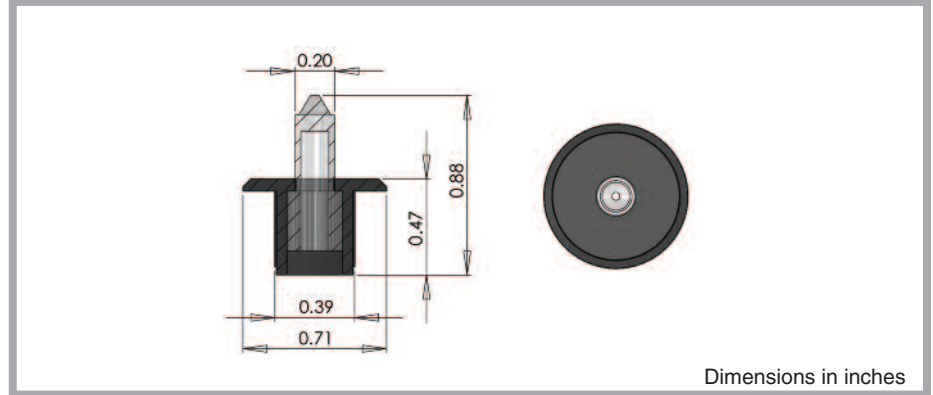
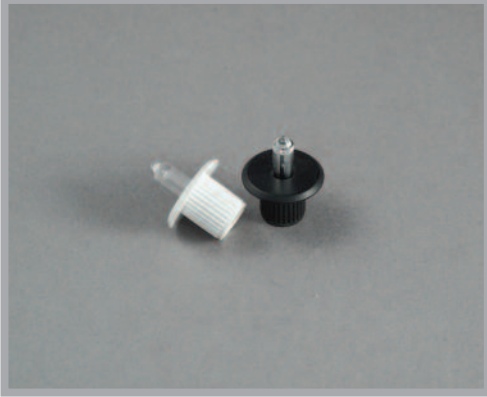


# End Fitting Specification



## UFO S1 Sparkle Fitting



Dimensions in inches

**A flanged sparkle point fitting which is available in plastic for indoor use or stainless steel for outdoor use.**

Flange available in a variety of colors. A stainless steel version with a threaded back is also available.

Description	
Material	Acrylic
Colors available	Clear body with flange in either stainless steel chrome black white ivory
Size	0.71" (18mm)
Weight	0.003lb (1.2g)
Mounting hole size	0.39" (10mm)
Ferrule size	Size 1 crimp
Fiber size	0.04" (1mm) active diameter

This fitting is popular with signmakers and for ease of installation in ceilings.

As an optional extra, we can supply accessory tubes which allow mounting of these fittings through single or double skinned ceilings.

These are available in 0.98" (25mm), 3.15" (80mm) or 5.31" (135mm) lengths.