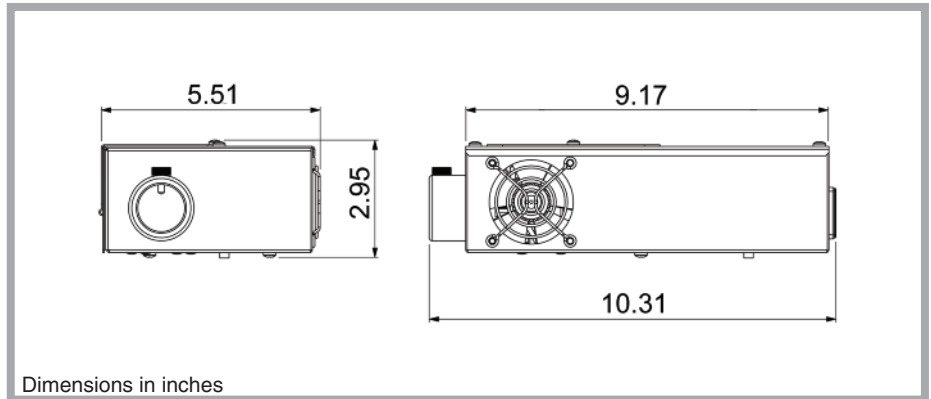


Illuminator Specification



Slimline Tungsten Halogen Illuminator



A very compact tungsten halogen illuminator, the Slimline is suitable for use with either glass or PMMA fibre.

Optionally available with a built in manual dimmer control, the Slimline is the perfect illuminator for use in display cases, models and cabinets.

The Slimline features low noise and heat output and is available with a choice of five lamp sizes - 35W, 42W, 50W, 75W or 100W.

Description	35W	42W	50W	75W	100W
Port connector size	1.18" (30mm) diameter	1.18" (30mm) diameter	1.18" (30mm) diameter	1.18" (30mm) diameter	1.18" (30mm) diameter
Fiber type	Glass/PMMA	Glass/PMMA	Glass/PMMA	Glass/PMMA	Glass/PMMA
Supply voltage	120 VAC 60Hz	120 VAC 60 Hz	120 VAC 60 Hz	120 VAC 60 Hz	120 VAC 60 Hz
Lamp power	35W	42W	50W	75W	100W
Input power @ 120VAC	33.6VA	40.8VA	69.6VA	91.2VA	127.2VA
Start up current @ 120VAC	0.149A	0.172A	0.31A	0.49A	0.73A
Running current @ 120VAC	0.14A	0.17A	0.29A	0.38A	0.53A
Min. ambient temperature	-20°C	-20°C	-20°C	-20°C	-20°C
Max. ambient temperature	40°C	40°C	40°C	40°C	40°C
Thermal protection	Thermal switch	Thermal switch	Thermal switch	Thermal switch	Thermal switch
Power cord	IEC line cable	IEC line cable	IEC line cable	IEC line cable	IEC line cable
Main fuse	0.8A	0.8A	0.8A	0.8A	0.8A
Fan type	HA65251V4 000U-999 Sunon DC 12V F1002	HA65251V4 000U-999 Sunon DC 12V F1002	HA65251V4 000U-999 Sunon DC 12V F1002	HA65251V4 000U-999 Sunon DC 12V F1002	HA65251V4 000U-999 Sunon DC 12V F1002
Lamp type	MR16	MR16	MR16	MR16	MR16
Lamp model	FMT	Philips 13861	EXT	EYF	Osram 64637
Lamp color temperature	2950K	2900K	3000K	3000K	3000K
Operating environment	Indoor / dry	Indoor / dry	Indoor / dry	Indoor / dry	Indoor / dry
Protection rating	IP20	IP20	IP20	IP20	IP20
Material	Sheet steel	Sheet steel	Sheet steel	Sheet steel	Sheet steel
Color	Black	Black	Black	Black	Black
Acoustic rating (max)	20 dB(A)	20 dB(A)	20 dB(A)	20 dB(A)	20 dB(A)
Size	10.31" x 5.51" x 2.95"	10.31" x 5.51" x 2.95"	10.31" x 5.51" x 2.95"	10.31" x 5.51" x 2.95"	10.31" x 5.51" x 2.95"
Weight	3.09lb (1.4kg)	3.09lb (1.4kg)	3.09lb (1.4kg)	3.09lb (1.4kg)	3.09lb (1.4kg)

For current specification part numbers, please see the illuminator configuration tool on our website.

