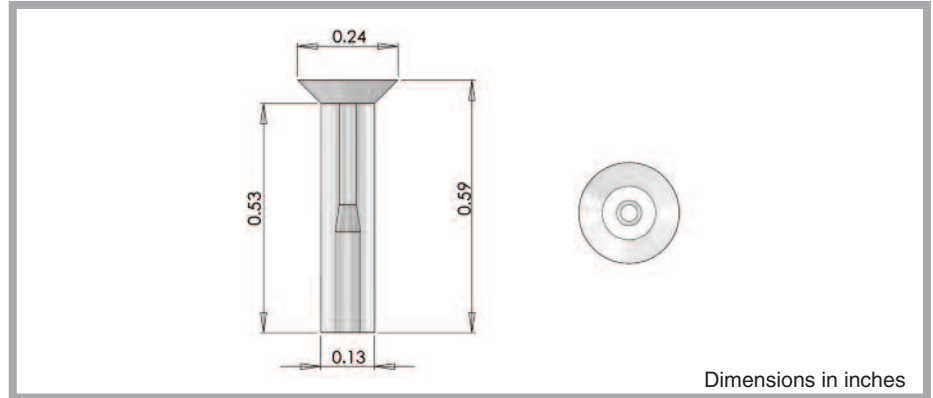
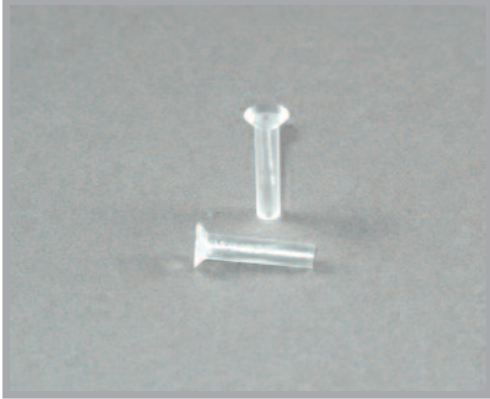


End Fitting Specification



UFO Sparkle Flush Lens



A miniature lens made from UV stabilised polycarbonate for 0.04" (1mm) fiber only.

Description	
Material	Polycarbonate
Colors available	Clear
Size	0.24" (6mm)
Weight	0.007oz (0.2g)
Mounting hole size	0.13" (3.2mm)
Fiber size	0.04" (1mm)

Suitable for use in floors and decking, indoors and out. Can also be set into stone or mortar for star paving effects.

Needs only a countersunk hole. For outdoor use we recommend using sheathed 0.04" fiber for protection.

Not as suitable for ceilings as the fiber is slightly recessed and will not be as visible from head height unless the ceiling is quite high.