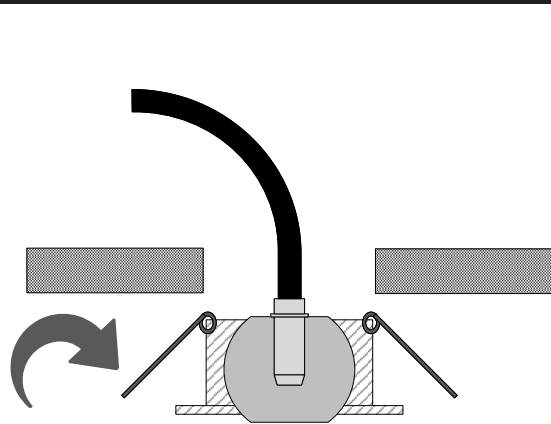


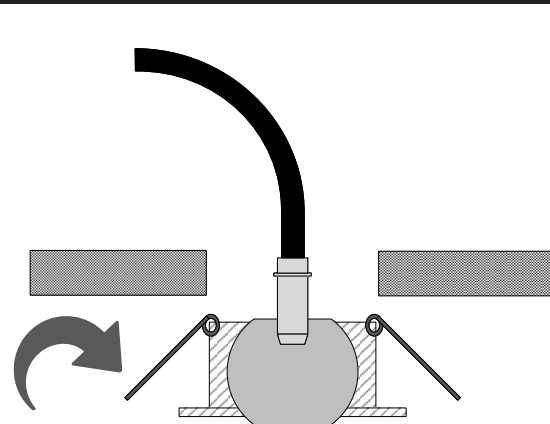
FIBRE OPTIC DOWNLIGHT FITTING GUIDE UFO 11D / UFO 11DA



Feed fibre tail through mounting surface.

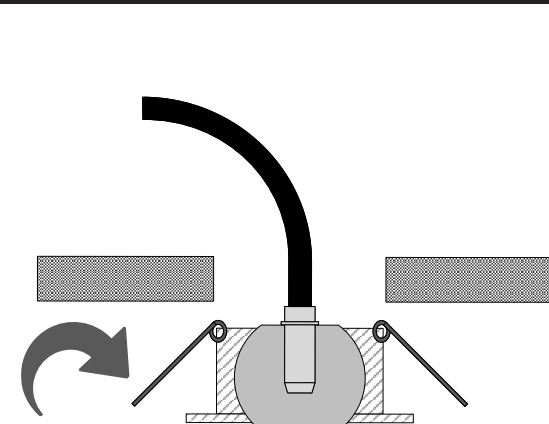
Hold ferrule and screw fitting clockwise onto the ferrule.

1



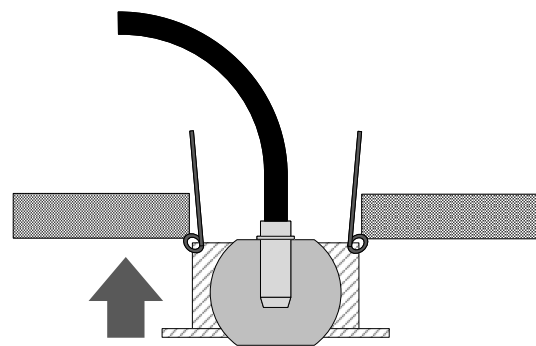
A narrow beam of light will be produced when the fitting is screwed on with a few threads.

2



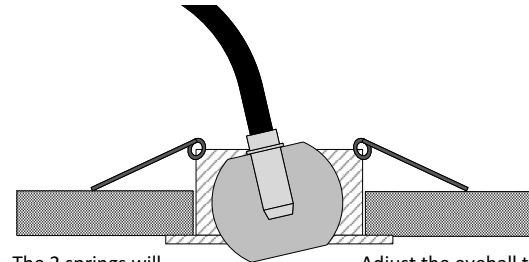
A wide beam of light will be produced when the fitting is screwed on as far as it will go.

3



Bend the 2 springs back and push fitting through the mounting hole.

4



The 2 springs will secure the fitting.

Adjust the eyeball to the desired angle

5

HOLE CUTOUT SIZES

11D	Ø 40mm / 1.57"
11DA	Ø 40mm / 1.57"

Note that this guide is indicative only. Installation of these fittings is dependant on the surface they are being installed in and local environmental conditions.

find us online: [uk]www.ufo.lighting

[usa]www.fiberopticlighting.com

[de]www.ufo-licht.de