

PRODUCT SPECIFICATION SHEET

UFO 26M 90° Mirror Fitting



Rev. C1

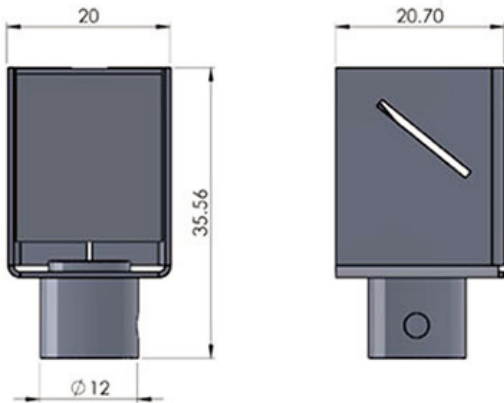


The UFO 26M is a rectangular mirror fitting with an open front. For use where an overall depth of 20mm (0.788") can be accommodated.

The UFO 26M is useful where there is a very limited depth to mount the fitting and gives a slightly rectangular light pattern at close range.

GENERAL INFORMATION

Glass	Clear
Beam Angle	45°
Material	Stainless steel
Finish	Any custom RAL color
Size	20mm x 35.6mm x 20.7mm (0.788" x 1.40" x 0.81")
Weight	(0.03lb)
Ferrule Size	8mm smooth
Min. Fiber Size	2mm
Max. Fiber Size	6mm



Note that dimensions are shown in mm

