

PRODUCT SPECIFICATION SHEET

UFO 2F Framing Projector



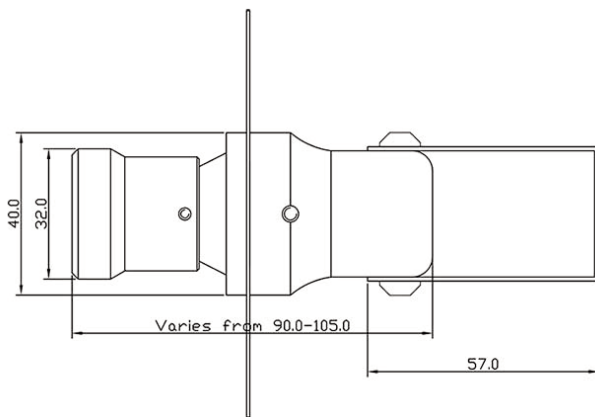
Rev. C1



The UFO 2F framing projector is used to frame an object or picture with a beam of light. The in-built shutters create a square or rectangular beam shape. By moving these, the size of the beam can be altered to perfectly frame the sides of a painting or an object.

The shutters can also be moved in such a way to create a wedge of light rather than a simple rectangle. This can be useful to allow for parallax correction when the fitting is mounted above the illuminated object and shining down at an angle.

The fitting is also focusable. By moving the lens tube backwards or forwards, the beam of light can be focused from hard to soft.



Note that dimensions are shown in mm

GENERAL INFORMATION

Lens	Clear focusing lens
Focus Range	20° - 45°
Material	Aluminum
Colors	White as standard. Custom finishes available.
Weight	163g (0.36lb)
Mounting Method	M6 screw fix through supplied bracket
Ferrule Size	M10
Fiber Sizes	2mm to 8mm diameter
Ordering Code	UFO 2F

