

PRODUCT SPECIFICATION SHEET



Rev. C2

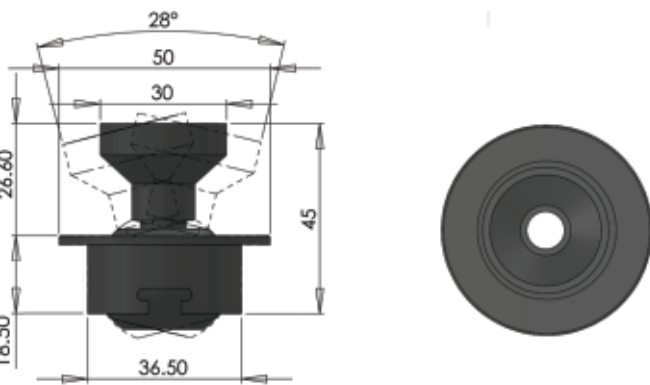
UFO 10D Downlight



An adjustable downlight fitting with trumpet, secured through ceiling with spring clips.

Available in a range of finishes, this fitting can be rotated and tilted to point directly at any objects to be illuminated. The fitting also allows for the light beam to be focused. The fitting is also suitable for mounting in the base of a display case and illuminating upwards.

Our downlight fittings are suitable for use in a variety of different applications and are the ideal solution for the illumination of static objects within a display case or cabinet.



Note that all dimensions are displayed in mm



TECHNICAL INFORMATION

Lens	26mm (1.02") lens
Focus range	25° - 45°
Material	Aluminum, stainless steel or polycarbonate/ABS
Finishes available	Aluminum, chrome, black, white, stainless steel
Trumpet size	ø50 (ø2.0")
Tilt	28°
Rotation	360°
Weight	Stainless steel; 140.7g (0.31lb) Polycarbonate; 28.1g (0.061lb) Aluminum; 57.4g (0.12lb)
Mounting hole size	40mm (1.6")
Mounting	Recessed, held by springs
Ferrule size	M10 or 8mm smooth
Min. fiber size	2mm
Max. fiber size	8mm

ORDERING CODES

MODEL	MATERIAL		FINISH		FERRULE SIZE	
UFO 10D	Aluminum	ALU	Aluminum	ALU	M10	M10
	Stainless Steel	SS	Black	BL	8mm	8mm
	Polycarbonate	PC	White	WH		
			Stainless Steel	SS		
			Chrome	CH		
UFO 10D						