

PRODUCT SPECIFICATION SHEET



Rev. C2

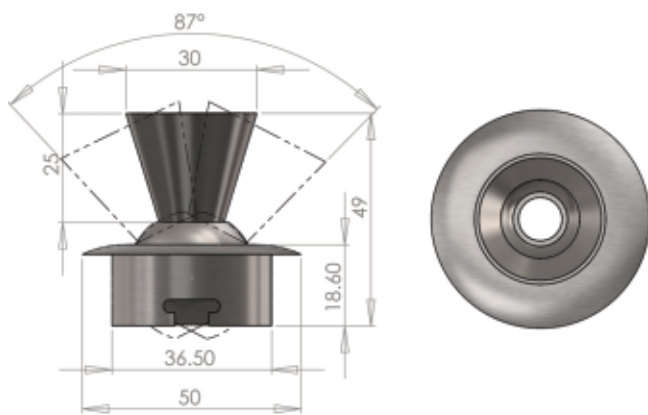
UFO 10DA Downlight



An adjustable downlight fitting with trumpet, secured through ceiling with spring clips.

Available in a range of finishes, this fitting can be rotated and tilted to point directly at any objects to be illuminated. The fitting also allows for the light beam to be focused. The fitting is also suitable for mounting in the base of a display case and illuminating upwards.

Our downlight fittings are suitable for use in a variety of different applications and are the ideal solution for the illumination of static objects within a display case or cabinet.



Note that all dimensions are displayed in mm

TECHNICAL INFORMATION

Lens	18mm (0.3lb) lens
Focus range	40° - 75°
Material	Aluminum (stainless steel option available to special order - extended lead times)
Finishes available	Aluminum, black, white, stainless steel (chrome subject to availability, special orders & extended lead times)
Trumpet size	Ø50 (1.96")
Tilt	28°
Rotation	360°
Weight	55.1g (0.2")
Mounting hole size	40mm (1.5")
Mounting	Recessed, held by springs
Ferrule size	M10 or 8mm smooth
Min. fiber size	2mm
Max. fiber size	8mm

ORDERING CODES

MODEL	MATERIAL		FINISH		FERRULE SIZE	
UFO 10DA	Aluminum	ALU	Aluminum	ALU	M10	M10
	Stainless Steel	SS	Black	BL	8mm	8mm
			White	WH		
			Chrome	CH		
UFO 10DA						



Universal Fibre Optics Ltd
Home Place \ Coldstream
TD12 4DT \ UK
+44 (0)1890 883416 \ www.ufo.lighting

Universal Fiber Optics USA LLC
1749 Northgate Blvd
Sarasota \ FL34234 \ USA
941-343-8115 \ www.fiberopticlighting.com

UFO Licht GmbH
Andreasstraße 20
93059 Regensburg \ Deutschland
+49 (0)9491 955880 \ www.ufo-licht.de