

PRODUCT SPECIFICATION SHEET



Rev. C3

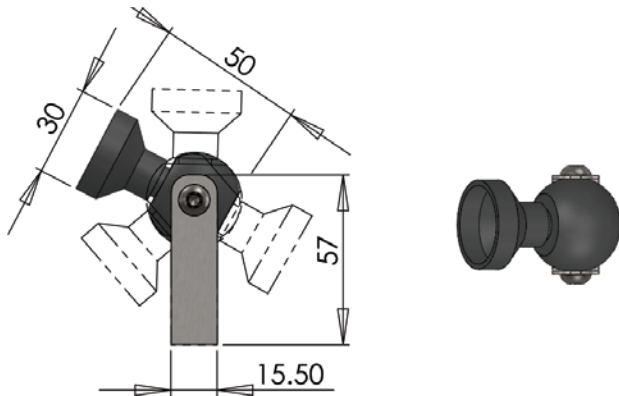
UFO 10DBR Downlight



A small surface mount, trumpet style downlight. Supplied with mounting bracket.

Available in a range of finishes, this fitting can be rotated and tilted to point directly at any objects to be illuminated. The light beam from this fitting is focusable. Also suitable for mounting in the base of a display case and illuminating upwards. Suitable for use where access above or below the mounting surface is not available.

Our downlight fittings are suitable for use in a variety of different applications and are the ideal solution for the illumination of static objects within a display case or cabinet.



Note that all dimensions are displayed in mm

TECHNICAL INFORMATION

Lens	26mm (1") lens
Focus range	25° - 45°
Material	Aluminum, stainless steel or polycarbonate
Finishes available	Aluminum, black, white, stainless steel
Flange size	ø30 (ø1.18")
Tilt	360°
Weight	Stainless steel; 121.1g (0.26lb) Polycarbonate; 37.7g (0.08lb) Aluminium: 58.5g (0.13lb)
Mounting	M6 screwfix with brackets
Ferrule size	M10 or 8mm smooth
Min. fiber size	2mm
Max. fiber size	8mm

ORDERING CODES

MODEL	MATERIAL		FINISH		FERRULE SIZE	
UFO 10DBR	Aluminum	ALU	Aluminum	ALU	M10	M10
	Stainless Steel	SS	Black	BL	8mm	8mm
	Polycarbonate	PC	White	WH		
			Stainless Steel	SS		
UFO 10DBR						



Universal Fibre Optics Ltd
Home Place \ Coldstream
TD12 4DT \ UK
+44 (0)1890 883416 \ www.ufo.lighting

Universal Fiber Optic Lighting USA, LLC
1749 Northgate Blvd
Sarasota \ FL34234 \ USA
941-343-8115 \ www.fiberopticlighting.com

UFO Licht GmbH
Andreasstraße 20
93059 Regensburg \ Deutschland
+49 (0)9491 955880 \ www.ufo-licht.de