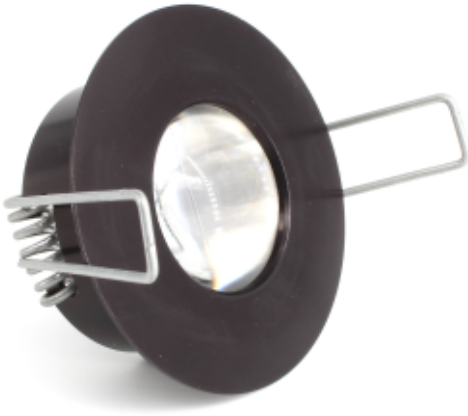


# PRODUCT SPECIFICATION SHEET



Rev. C2

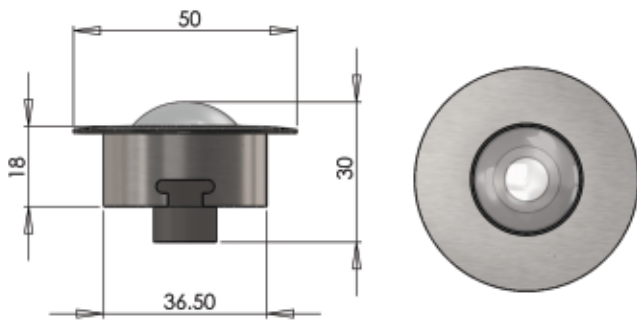
## UFO 13DA Downlight



A fixed lens downlight fitting with a smooth flange, secured through ceiling with spring clips.

Available in a range of finishes, this fitting allows for the light beam to be focused. The fitting is also suitable for mounting in the base of a display case and illuminating upwards.

Our downlight fittings are suitable for use in a variety of different applications and are the ideal solution for the illumination of static objects within a display case or cabinet.



Note that all dimensions are displayed in mm

### TECHNICAL INFORMATION

|                    |   |
|--------------------|---|
| Lens               | 26mm (1.0") lens  |
| Focus range        | 20° - 45°   |
| Material           | Aluminum, (stainless steel option available to special order)                                       |
| Finishes available | Aluminum, black, white, (chrome subject to availability - special orders only, extended lead times) |
| Flange size        | ø50 (ø1.96")  |
| Weight             | 44.4g (0.1lb)   |
| Mounting hole size | 40mm (1.6")   |
| Mounting           | Recessed, held by springs   |
| Ferrule size       | M10 or 8mm smooth   |
| Min. fiber size    | 2mm   |
| Max. fiber size    | 8mm   |

### ORDERING CODES

| MODEL    | MATERIAL        |     | FINISH   |     | FERRULE SIZE |     |
|----------|-----------------|-----|----------|-----|--------------|-----|
| UFO 13DA | Aluminum        | ALU | Aluminum | ALU | M10          | M10 |
|          | Stainless Steel | SS  | Black    | BL  | 8mm          | 8mm |
|          |                 |     | White    | WH  |              |     |
| UFO 13DA |                 |     |          |     |              |     |



Universal Fibre Optics Ltd  
Home Place \ Coldstream  
TD12 4DT \ UK  
+44 (0)1890 883416 \ www.ufo.lighting

Universal Fiber Optic Lighting USA, LLC  
1749 Northgate Blvd  
Sarasota \ FL34234 \ USA  
941-343-8115 \ www.fiberopticlighting.com

UFO Licht GmbH  
Andreasstraße 20  
93059 Regensburg \ Deutschland  
+49 (0)9491 955880 \ www.ufo-licht.de