

# PRODUCT SPECIFICATION SHEET



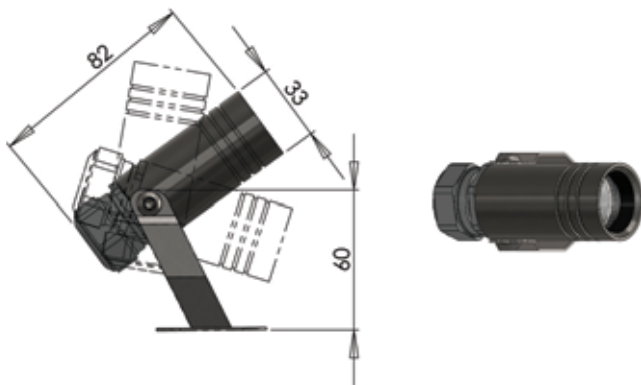
Rev. C3

## 1D Downlight



A wet area spotlight constructed from stainless steel and supplied with mounting bracket.

Suitable for use in water features, walls, gardens and other areas where a spotlight or narrow beam of light is desired. Can be mounted to any surface using the supplied bracket or can be used with a ground spike fitting for placement in the ground.



Note that all dimensions are displayed in mm

### TECHNICAL INFORMATION

Lens	26mm (1") lens
Focus range	12° - 22°
Material	Stainless steel
Colors available	Stainless steel
Size	ø33 (ø1.3")
Weight	281.6g (0.62lb)
Mounting	M6 screwfix through bracket
Ferrules size	M10
Min. fiber size	5mm
Max. fiber size	8mm

### ORDERING CODES

MODEL	MATERIAL		FINISH		FERRULE SIZE	
UFO 1D	Stainless Steel	SS	Stainless Steel	SS	M10	M10
UFO 1D						

eg. UFO 1D-SS-SS-M10



Universal Fibre Optics Ltd  
Home Place \ Coldstream  
TD12 4DT \ UK  
+44 (0)1890 883416 \ www.ufo.lighting

Universal Fiber Optic Lighting USA, LLC  
1749 Northgate Blvd  
Sarasota \ FL34234 \ USA  
941-343-8115 \ www.fiberopticlighting.com

UFO Licht GmbH  
Andreasstraße 20  
93059 Regensburg \ Deutschland  
+49 (0)9491 955880 \ www.ufo-licht.de