

# PRODUCT SPECIFICATION SHEET



Rev. C3

## UFO 29H Hermetic Fitting

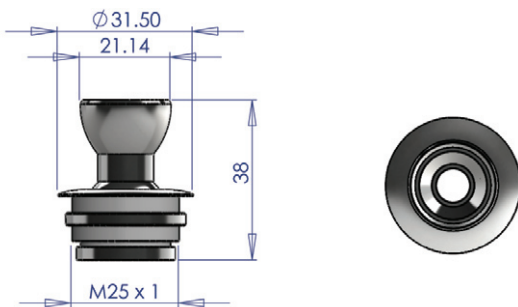


The UFO 29H downlight fitting allows an airtight seal to be maintained within a display case when using fiber optics.

These fittings are made from aluminum and the air seal is maintained by a series of three o-rings around the flange, eyeball and ferrule. The ferrule is tightened fully onto the fitting and the focus adjustment is made using the trumpet. The further onto the ferrule the trumpet is screwed, the wider the beam. The tight tolerances attained during manufacture help ensure many years of reliable operation.

Supplied with a wide focussing trumpet.

Chrome finish subject to availability, is special order and an extended lead time may be required.



Note that dimensions are shown in mm

### TECHNICAL INFORMATION

Lens	18mm (0.71") clear lens
Focus range	25° - 48°
Material	Aluminum
Finishes available	Aluminum, black, white, chrome
Weight	19.2g (0.04lb)
Mounting hole size	27mm (1.06")
Ferrule size	M8
Min. fiber size	2mm
Max. fiber size	6mm
Flange size	31.5mm (1.24")

### ORDERING CODES

MODEL	FINISH		TRUMPET		FERRULE SIZE	
UFO 29H	Aluminium	ALU	Wide	W	M8	M8
	Black	BL				
	White	WH				
	Chrome	CH				
UFO 29H						



Universal Fibre Optics Ltd  
Home Place \ Coldstream  
TD12 4DT \ UK  
+44 (0)1890 883416 \ www.ufo.lighting

Universal Fiber Optic Lighting USA, LLC  
1749 Northgate Blvd  
Sarasota \ FL34234 \ USA  
941-343-8115 \ www.fiberopticlighting.com

UFO Licht GmbH  
Andreasstraße 20  
93059 Regensburg \ Deutschland  
+49 (0)9491 955880 \ www.ufo-licht.de