

PRODUCT SPECIFICATION SHEET



Rev. C2

LB1 LED Downlight

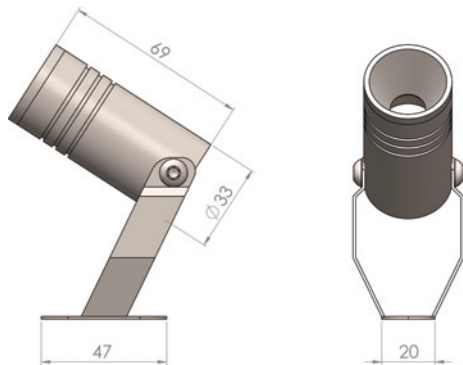


As one of our more flexible LED fittings, the LB1 features full vertical articulation, to allow you to navigate the light stream in almost any direction required.

It is suitable for use in all manner of indoor and outdoor applications, from the illumination of fountains and statues to commercial facades and residential landscaping.

The versatile fitting can be manufactured in anodised aluminum or 316 stainless steel for added durability, and consists of a bezel of 33mm (1.3") in diameter and 69mm (2.7") in length. It comes mounted on a screw down foot, but can also be supplied with a spike to allow for easy installation in soft ground.

Available with a choice of color temperatures and optics, the LB1 can be specified with dimming functionality and finished in a range of coatings and colors to suit varying requirements



Note that all dimensions are displayed in mm

TECHNICAL INFORMATION

Illuminator	LED
Operating Environment	Indoor & outdoor
Material	Hard anodised aluminum
Finishes	Black, silver or custom RAL
Power Consumption	1W per fitting
Voltage	3.2V (nominal)
Color Temp. & CRI	2700K - 98CRI (typical) / 3000K - 98CRI (typical) 4000K - 95CRI (typical) / 5700K - 91CRI (typical)
Typical Luminous Flux (based on 13.5° lens)	2700K - 54lm/W / 3000K - 57lm/W 4000K - 63lm/W / 5700K - 86lm/W
Optics	13.5° / 19° / 28°

DRIVER CONTROL OPTIONS (Depending on specified driver)

No Dimming	Local Potentiometer Dimming
0-10V Dimming	Remote Potentiometer Dimming

PRODUCT CODES

MODEL	OPTICS		COLOR TEMP		FLANGE COLOR	
UFO LB1	13.5°	13	2700K	27	Black	BL
	19°	19	3000K	30	Silver	SV
	28°	28	4000K	40	Custom	CU
			5700K	57		

UFO LB1	-	-	-	-	-
---------	---	---	---	---	---

e.g, UFO LB1-13-27-BL

