

# PRODUCT SPECIFICATION SHEET



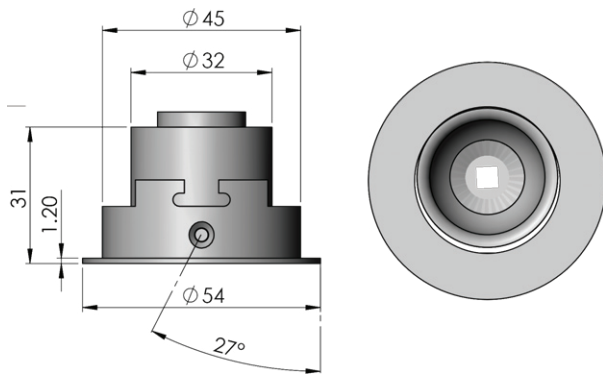
Rev. C2

## LD3 LED Downlight



The versatile LD3, which can tilt up to 27° in 2 directions, comes with a choice of narrow, medium and wide beam options to allow you to direct the light exactly where it is needed. Fitted with springs to allow easy installation into the mounting surface.

Available in a range of color temperatures with a high color rendition and multiple methods of dimming, the aluminum fitting is ideally suited for indoor use in residential and architectural sectors amongst others.



Note that dimensions are shown in mm

### TECHNICAL INFORMATION

Illuminator	LED
Operating Environment	Indoor
Material	Aluminum
Finishes	Black, silver, white, custom RAL to order
Securing Method	Secured through surface with spring clips
Power Consumption	1W per fitting
Voltage	3.2V nominal
Color Temp. & CRI	2700K - 98CRI (typical) / 3000K - 98CRI (typical) 4000K - 97CRI (typical) / 5700K - 91CRI (typical)
Typical Luminous Flux (based on 19° lens)	2700K: 61lm/W / 3000K: 65lm/W 4000K: 72lm/W / 5700K: 96lm/W
Optics	13.5° / 19° / 28°
Articulation	Overall 54° tilt

### DRIVER CONTROL OPTIONS (Depending on specified driver)

No Dimming	Local Potentiometer Dimming
0-10V Dimming	Remote Potentiometer Dimming

### PRODUCT CODES

MODEL	OPTICS	COLOR TEMP	FLANGE COLOR
UFO LD3	13.5°	13	2700K
	19°	19	3000K
	28°	28	4000K
			5700K
			Custom
			Black
			Silver
			White
			Custom

e.g. UFO LD3-13-27-BL



Universal Fibre Optics Ltd  
Home Place \ Coldstream  
TD12 4DT \ UK  
+44 (0)1890 883416 \ www.ufo.lighting

Universal Fiber Optic Lighting USA, LLC  
1749 Northgate Blvd  
Sarasota \ FL34234 \ USA  
941-343-8115 \ www.fiberopticlighing.com

UFO Licht GmbH  
Andreasstraße 20  
93059 Regensburg \ Deutschland  
+49 (0)9491 955880 \ www.ufo-licht.de