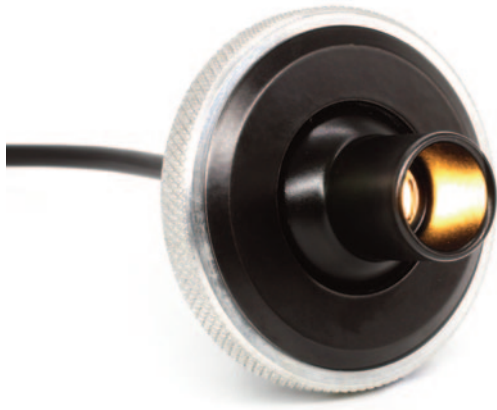


# PRODUCT SPECIFICATION SHEET



Rev. C5

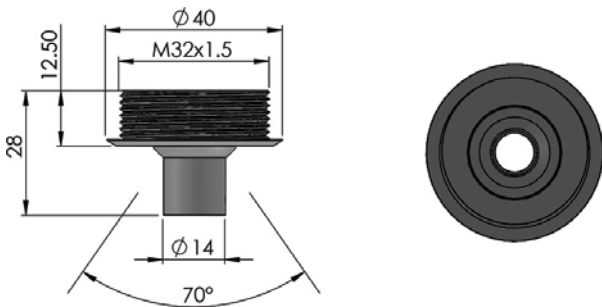
## LD5 LED Downlight



Recessed LED downlight fitting with adjustable snout and choice of color temperatures.

Supplied with a warm white or neutral white LED light and a CRI of >95 that ensures colors are shown in their true light, the LD5 is particularly useful for illuminating static objects within display cabinets and fixtures due to its adjustable nature.

Integral to the front of the fitting is a slim snout that can tilt up to 35°, allowing you to focus on a concentrated beam of light in almost any direction required.



Note that dimensions are shown in mm

### TECHNICAL INFORMATION

Illuminator	LED
Operating Environment	Indoor
Material	Aluminum
Finishes	Black, silver, white, custom RAL to order
Mounting Hole Size	32mm
Power Consumption	1W per fitting
Voltage	2.75V (min) 3.2V (typical) 3.5V (max)
Color Temp. & CRI	2700K - 98CRI (typical) / 3000K - 98CRI (typical) / 4000K - 97CRI
Typical Luminous Flux (based on 19° lens)	2700K: 55lm/W / 3000K: 58lm/W / 4000K: 63lm/W
Optics	16° / 23° / 36° / 61°
Articulation	Tilt: 35° / Rotation: 360°

### DRIVER CONTROL OPTIONS (Depending on specified driver)

No Dimming	Local Potentiometer Dimming
0-10V Dimming	Remote Potentiometer Dimming

### PRODUCT CODES

MODEL	OPTICS		COLOR TEMP		FLANGE COLOR	
UFO LD5	16°	16	2700K	27	Black	BL
	23°	23	3000K	30	Silver	SV
	36°	36	4000K	40	White	WH
	61°	61			Custom	CU
UFO LD5	-	-	-	-	-	-

e.g, UFO LD5-16-27-BL

