

## LM3 LED Spotlight



A larger-sized surface mount spotlight. Supplied with mounting bracket. Available in a range of finishes, this fitting can be rotated and tilted to point directly at any objects to be illuminated. This fitting is also available for use outdoors and is suitable for use where access above or below the mounting surface is not available.

The power cable can be threaded through the base of the fitting if required to create a neat finish.

Of course, like for all models in this range there are also high CRI LED array options available making it very suitable for use in display lighting applications. The XIM & XTM module options make for a very high powered spotlight fitting.

### GENERAL INFORMATION

Light Source	White Light LED
LED Module Options	Xicato XIM or Xicato XTM
Color Temp. Options	2700K or 3000K
Operating Environment	IP66 rated for indoor or outdoor use
Material	Aluminum
Available Finishes	Black as standard. Custom RAL finish available to special order
Dimensions	80mm Diameter x 137mm Length
Securing Method	Surface mount, secured with screws

### ARTICULATION

Rotation	360°
Tilt	120° lockable

### XIM MODULE

Power Requirements	48V Constant Voltage
Module Options	9mm LED - 80CRI - 18.8W - 1300lm
	9mm LED - 95CRI - 12.5W - 700lm
	19mm LED - 80CRI - 12.6W - 1300lm
	19mm LED - 95CRI - 17.2W - 1300lm

### XTM MODULE

Power Requirements	Constant Current
Module Options*	9mm LED - 80CRI - max. 15.6W - 1300lm
	9mm LED - 95CRI - max. 23.6W - 1300lm
	19mm LED - 80CRI - max. 19.9W - 2700lm
	19mm LED - 95CRI - max. 19.9W - 2140lm

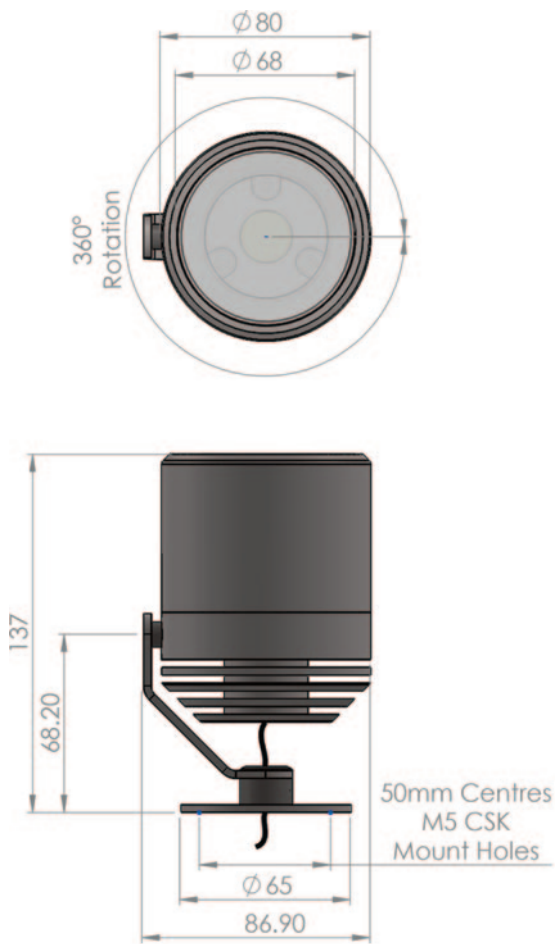
\*Lower power options are available if required - contact us for details

### OPTICS DATA

Optics Options 9mm LED	12° / 20° / 23° / 35°
Optics Options 19mm LED	21° / 25° / 38° / 41° / 62°

### DRIVER DIMMING OPTIONS

Xicato XIM Modules	Bluetooth (Xicato)
Xicato XTM Modules	DALI, 0-10V, Mains or Bluetooth (Casambi)

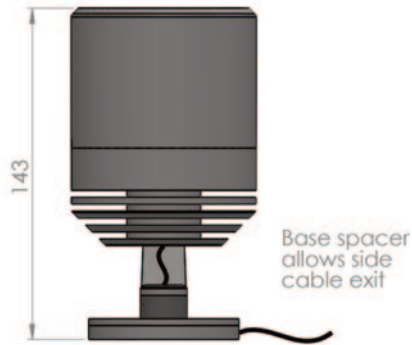


Note that all dimensions are shown in mm

## MOUNTING ACCESSORIES

Side Cable Base Spacer  
Product Code:  
UFO-LM-SCBS

Allows the cable to exit from the side of the mounting foot rather than straight through the back face.



## OPTICAL ACCESSORIES

Option 1	Honeycomb louver
Option 2	Diffuser lens

Note:

On models fitted with XIM modules only 1 optical accessory can be fitted at a time. Models fitted with XTM modules can accept 2 optical accessories at once

## PRODUCT CODES

MODEL	OPTICS	COLOR TEMP	FINISH	MODULE	ACCESSORIES					
UFO LM3	9mm / 12°	12	2700K	27	Black	BL	XIM / 9mm LED - 80CRI	XI0980	None	XX
	9mm / 20°	20	3000K	30	Custom	CU	XIM / 9mm LED - 95CRI	XI0995	Honeycomb	HC
	9mm / 23°	23						XI1980	Diffuser Lens	DF
	9mm / 35°	35			XIM / 19mm LED - 95CRI	XI1995	Both Options	HC-DF		
	19mm / 21°	21			XTM / 9mm LED - 80CRI	XT0980				
	19mm / 25°	25			XTM / 9mm LED - 95CRI	XT0995				
	19mm / 28°	28			XTM / 19mm LED - 80CRI	XT1980				
	19mm / 41°	41			XTM / 19mm LED - 95CRI	XT1995				
	19mm / 62°	62								

UFO LM3 - [ ] - [ ] - [ ] - [ ] - [ ]

e.g. UFO LM3-25-27-BL-XT0980-HC



Universal Fibre Optics Ltd  
Home Place \ Coldstream  
TD12 4DT \ UK  
+44 (0)1890 883416 \ www.ufo.lighting

Universal Fiber Optics USA LLC  
1749 Northgate Blvd  
Sarasota \ FL34234 \ USA  
941-343-8115 \ www.fiberopticalighting.com

UFO Licht GmbH  
Andreasstraße 20  
93059 Regensburg \ Deutschland  
+49 (0)9491 955880 \ www.ufo-licht.de