

PRODUCT SPECIFICATION SHEET

MBL1 LED Downlight



Rev. C3

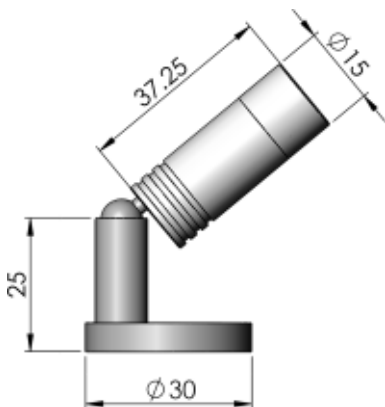


The UFO MBL range of high performance fittings features a sleek design and the latest magnetic articulation for 360° rotation.

With a bezel of 15mm in diameter and a body of 37.5mm in length, the surface mountable MBL1 is the smaller of the two fittings in this range. It features a cleverly designed magnetic ball joint that provides complete freedom of movement, allowing the luminaire to be fully rotated and tilted to point the light in almost any direction.

Available with a choice of color temperatures, high color rendition, and a selection of optics, the diminutive fitting provides contemporary, functional lighting in any indoor environment.

Depending on the driver specified, the MBL1 can be dimmed using any of multiple options.



Note that all dimensions are shown in mm

GENERAL INFORMATION

Illuminator	White light LED
Operating Environment	Indoor use
Material	Aluminum
Finishes	Black, white, silver, custom RAL color
Dimensions	Base: $\varnothing 30\text{mm} \times 5\text{mm}$ ($\varnothing 1.2'' \times 0.2''$) Head: $\varnothing 15\text{mm} \times 37.5\text{mm}$ ($\varnothing 0.6'' \times 1.5''$) Base height: 25mm (1.0")
Weight	40g (0.09lb)
Securing Method	Secured through surface with screws

ARTICULATION

Rotation	360°
Tilt	90°

LED ARRAY DATA

LED Type	Osram Oslon Square on 9.5mm Diameter PCB
LED Life (L70, B10)	>54,000 Hours
Fitting Drive Current	350mA
Power Consumption	1W @ 350mA
Color Temperature Options	2700K, 3000K, 4000K
CRI	>95
Lumen Output	100lm @ 350mA, 140lm @ 500mA
LED Luminous Efficacy	98lm/W
Driver Type	Constant Current LED Driver Required

OPTICS DATA

Optics Family	Ledil - Lisa2
Available Optics	16° / 23° / 36° / 61°

DRIVER DIMMING OPTIONS (Depending on specified driver)

Driver Specific	None 0-10V DALI DMX Mains Local Potentiometer Remote Potentiometer
-----------------	--

PRODUCT CODES

MODEL	OPTICS		COLOR TEMP		FITTING COLOR	
UFO MBL1	16°	13	2700K	27	Black	BL
	23°	19	3000K	30	Silver	SV
	36°	36	4000K	40	White	WH
	61°	61			Custom	CU

UFO MBL1 - [] - [] - []

e.g. UFO MBL1-16-27-BL

Specify RAL code for custom color

