

PRODUCT SPECIFICATION SHEET

Nano LED Cabinet Light



Rev. C1



The UFO Nano LED fitting. With a design based on one of our most popular fibre optic fittings, the 34D is perfect for use in display cabinets where a small and unobtrusive spot light is required.

Featuring a choice of 2 popular color temperatures and a high CRI, together with an easily adjustable snoot, the Nano is perfect for illuminating small objects within a display case. To further aid in this, the luminaire can be rotated by 360° and offers 50° of tilt in any direction.

Depending on the driver specified, the Nano can be dimmed using any of multiple options allowing it to seamlessly blend into almost any existing lighting scheme.

Like the 34D, the Nano is mounted by simply press fitting - either directly into a surface or into a mounting extrusion.

GENERAL INFORMATION

Light Source	White light LED
Operating Environment	Indoor use
Material	Aluminum
Finishes	Anodised black / Anodised silver Powdercoated to any custom RAL color Note that the ball will always be black or silver and cannot be powdercoated.
Dimensions	16.5mm diameter x 18.3mm height
Weight	5g
Securing Method	Press fit into 14mm cutout

ARTICULATION

Rotation	360°
Tilt	50°

LED ARRAY DATA

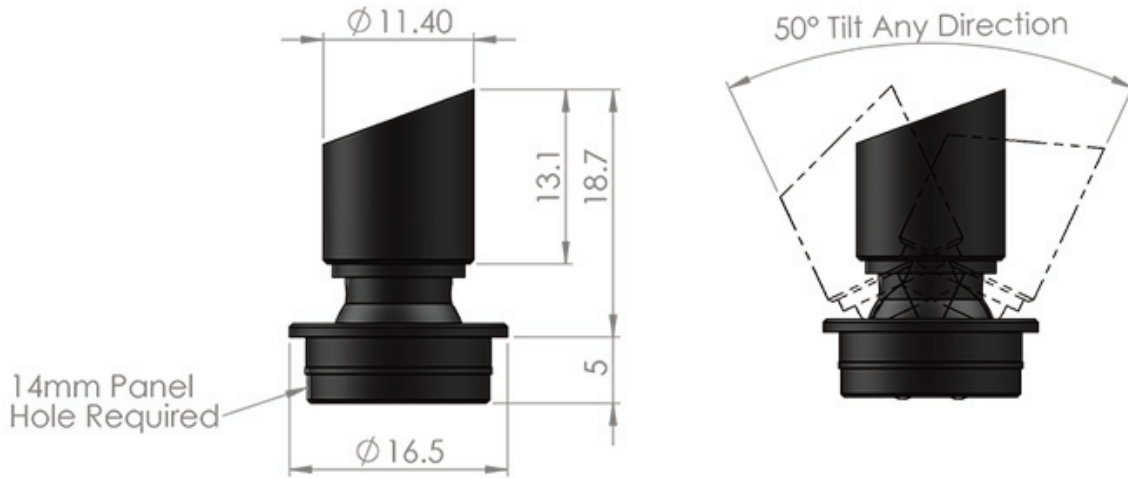
LED Type	Osram Oslon Square
LED Life (L70, B10)	>54,000 Hours
Fitting Drive Current	150mA
Power Consumption	0.5W
Colour Temperature Options	3000K, 4000K
CRI	>96
Lumen Output	27lm
Fitting Luminous Efficacy	53lm/W
Driver Type	Constant Current LED Driver Required

OPTICS DATA

Available Optic	50°
-----------------	-----

DRIVER DIMMING OPTIONS (Depending on specified driver)

Driver Specific	None 0-10V DALI Remote Potentiometer
-----------------	---



PRODUCT CODES

MODEL	OPTICS	COLOR TEMP	FITTING COLOR
UFO NANO	50° 50	3000K 30	Black BL
		4000K 40	Silver SV
			Custom RAL CU

UFO NANO - [] - [] - []

e.g. UFO NANO-F50-30-BL

Please state RAL code for custom finish

