

PRODUCT SPECIFICATION SHEET

Sirius Decorative LED Illuminator



Rev. C3



A very powerful yet efficient fiber optic illuminator, powered by LED technology, which incorporates decorative effects.

Extremely high power output makes this illuminator suitable for multiple lighting tasks where traditionally metal halide units have been employed. Almost silent in operation, the Sirius outputs light which is similar to that of a 150W metal halide lamp.

A choice of either a 6 color colorwheel or a twinkle effect wheel can also be installed, and this offers the same control options as the dimming effects; manual, 0-10V or DMX.

The Sirius has an inbuilt manual dimmer and dimming is also controllable via either DMX or 0-10V.

With a standard 30mm (1.18") fiber port connector, this illuminator is equally suited to new projects or for retro-fitting to existing fiber optic installations.

GENERAL INFORMATION

Port connector size	30mm (1.18") diameter
Fiber type	Glass / PMMA
Material/Finish	Aluminum, grey powdercoat (RAL7024)
Dimensions (L x W x H)	278mm (10.9") x 155mm (6.1") x 128mm (5.0")
Weight	2.41kg (5.31lb)
Operating Environment	Indoor use - IP20
Min Ambient Temp.	-10°C (14°F)
Max Ambient Temp.	+45°C (113°F)

LIGHTING AND CONTROL INFORMATION

Dimming Functionality	0-10V, DMX, Manual
DMX Functionality	User addressable to 512
DMX Channels	3 channels
Effects Wheel Option and Functionality	Color or twinkle controlled by 0-10V, DMX and manual

LED ARRAY DATA

LED Array Type	White light
LED Array Power	90W
LED Array Model	LED Engin LZP 24 Die Emitter
LED Array Life (L70, B10)	>36,000 hours
Cool White Option	5500K / 765CRI / 5700lm

ELECTRICAL CHARACTERISTICS

Supply Voltage	90 - 264Vac
Mains Running Current	0.43A @ 240Vac
Mains Voltage VA rating	100VA
External PSU Type	Meanwell, 24V, 3.75A, 90W
Motor Type	Rotalink 25C13/YSOLPSL3E - 12V - 60:1
Fan Type	Sunon 80mm - 28dBA

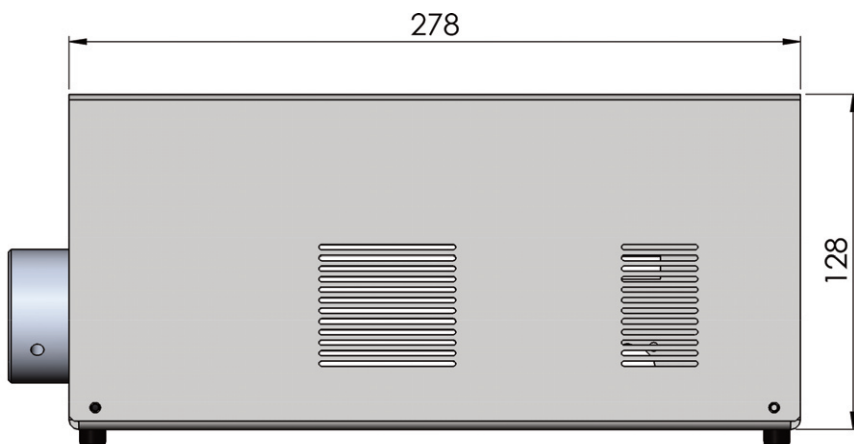
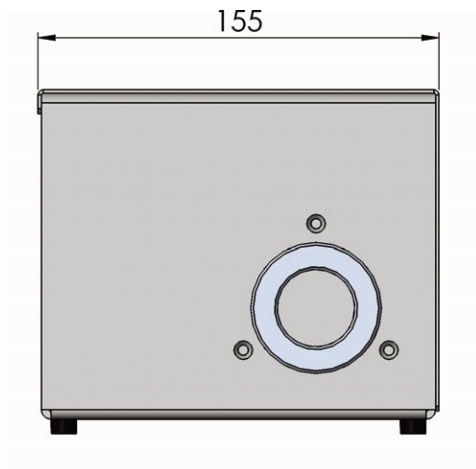


ILLUMINATOR PRODUCT CODES

MODEL	COLOR TEMPERATURE		EFFECTS		SENSOR	
UFO SIR	Cool White (5500K)	CW	Color Wheel	C	No Sensor	X
			Twinkle Wheel	T	Sensor	S
UFO SIR	-	-	-	-	-	-

e.g. UFO SIR-CW-C-S

For the configuration of a twinkle wheel with sensor, the wheel is supplied with a cut out segment. The wheel in motion will give an uninterrupted twinkle by rotating backwards and forwards either side of the segment. When stop is selected the wheel will come to rest at thesegment giving unobstructed white light output.



Note that drawing dimensions are shown in mm



Universal Fibre Optics Ltd
Home Place \ Coldstream
TD12 4DT \ UK
+44 (0)1890 883416 \ www.ufo.lighting

Universal Fiber Optic Lighting USA LLC
1749 Northgate Blvd
Sarasota \ FL34234 \ USA
941-343-8115 \ www.fiberopticlighting.com

UFO Licht GmbH
Andreasstraße 20
93059 Regensburg \ Deutschland
+49 (0)9491 955880 \ www.ufo-licht.de