

# PRODUCT SPECIFICATION SHEET

## UFO P13 Paver



Rev. C1



Our range of classic paver fittings are all manufactured from hard wearing, corrosion resistant 316 stainless steel, and fitted with high quality toughened glass.

Available in a wide range of sizes, paver fittings can generally be used with fiber sizes ranging from 2mm up to 8mm diameter. This is dependant on the size of ferrule the fitting can accept.

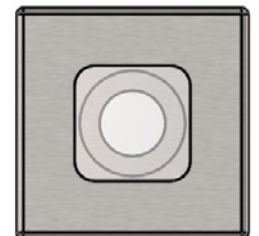
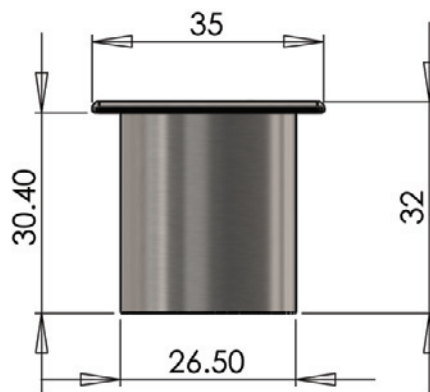
All pavers are supplied in natural stainless steel and most types are available with a choice of clear or frosted glass.

The P13 is a small walkover paver with a 35mm (1.38") square flange and a total depth of 32mm (1.26"). Fitted with a 17.5mm (0.69") square toughened glass front which can be supplied in either clear or frosted versions.

Please note: this fitting is made to order only. Delivery will be subject to an extended lead time and price will be dependant on the quantity ordered

TECHNICAL INFORMATION	
Lens	17.5mm (0.69"), clear or frosted
Beam angle	45°
Material	316 Stainless steel
Finishes available	Stainless steel
Weight	82.4g (0.18lb)
Mounting hole size	28mm (1.1")
Ferrule size	M10 or 8mm
Min. fiber size	2mm
Max. fiber size	8mm

ORDERING CODES				
MODEL	LENS		FERRULE SIZE	
UFO P13	Clear	C	M10	M10
	Frosted	F	8mm	8mm
UFO P13				



Note that dimensions are shown in mm

