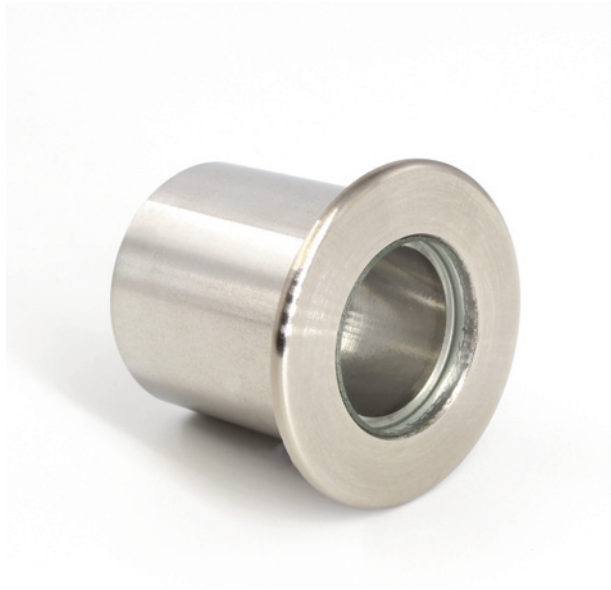


PRODUCT SPECIFICATION SHEET



Rev. C1

UFO P3 Paver



Our range of classic paver fittings are all manufactured from hard wearing, corrosion resistant 316 stainless steel, and fitted with high quality toughened glass.

Available in a wide range of sizes, paver fittings can generally be used with fiber sizes ranging from 2mm up to 8mm diameter. This is dependant on the size of ferrule the fitting can accept.

All pavers are supplied in natural stainless steel and are most types are available with a choice of clear or frosted glass.

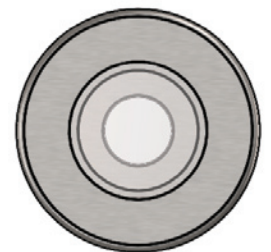
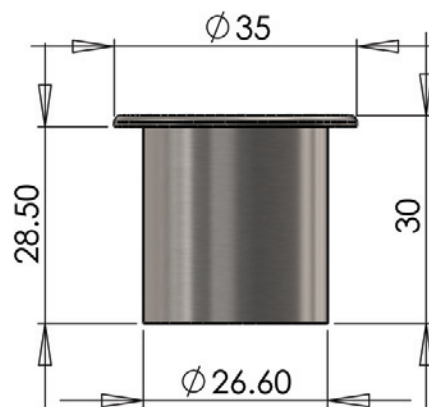
The P3 is a round paver with a 35mm (1.38") diameter flange and a total depth of 30mm (1.18"). Fitted with a 20mm (0.79") diameter, domed, toughened glass front which can be supplied in either clear or frosted versions.

TECHNICAL INFORMATION

Lens	20mm (0.79") lens, clear or frosted
Beam angle	45°
Material	316 stainless steel
Finishes available	Natural stainless steel
Weight	92.2g (0.2lb)
Mounting hole size	28mm (1.1")
Ferrule size	M10 or 8mm smooth
Min. fiber size	2mm
Max. fiber size	8mm

ORDERING CODES

MODEL	LENS		FERRULE SIZE	
UFO P3	Clear	C	M10	M10
	Frosted	F	8mm	8mm
UFO P3				



Note that dimensions are shown in mm



Universal Fibre Optics Ltd
Home Place \ Coldstream
TD12 4DT \ UK
+44 (0)1890 883416 \ www.ufo.lighting

Universal Fiber Optic Lighting USA, LLC
1749 Northgate Blvd
Sarasota \ FL34234 \ USA
941-343-8115 \ www.fiberopticlighting.com

UFO Licht GmbH
Andreasstraße 20
93059 Regensburg \ Deutschland
+49 (0)9491 955880 \ www.ufo-licht.de