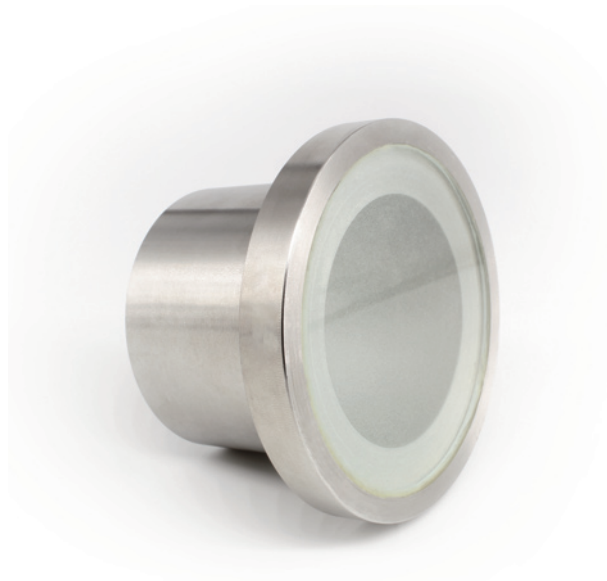


PRODUCT SPECIFICATION SHEET

UFO P7 Paver



Rev. C1



Our range of classic paver fittings are all manufactured from hard wearing, corrosion resistant 316 stainless steel, and fitted with high quality toughened glass.

Available in a wide range of sizes, paver fittings can generally be used with fiber sizes ranging from 2mm up to 8mm diameter. This is dependant on the size of ferrule the fitting can accept.

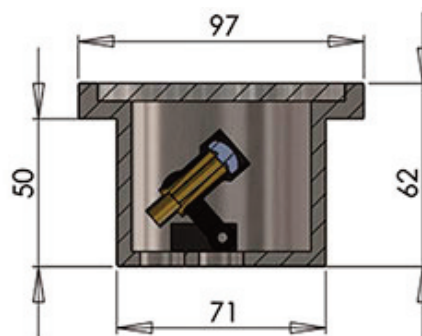
All pavers are supplied in natural stainless steel and most types are available with a choice of clear or frosted glass.

The P7 has an internally mounted lens which allows light to be directed at an angle. This is the ideal solution where the light has to hit an object such as a wall or sculpture.

Please note: this fitting is made to order only, delivery will be subject to an extended lead time and price will be dependant on the quantity required.

TECHNICAL INFORMATION	
Lens	80mm (3.15") clear lens
Flange size	97mm (3.82")
Material	316 Stainless steel
Finishes available	Stainless steel
Weight	917g (2.02lb)
Mounting hole size	72mm (2.83")
Ferrule size	M10 or 8mm smooth
Min. fiber size	2mm
Max. fiber size	8mm

ORDERING CODES				
MODEL	LENS		FERRULE SIZE	
UFO P7	Clear	C	M10	M10
			8mm	8mm
UFO P7				



Note that dimensions are shown in mm



Universal Fibre Optics Ltd
Home Place \ Coldstream
TD12 4DT \ UK
+44 (0)1890 883416 \ www.ufo.lighting

Universal Fiber Optic Lighting USA, LLC
1749 Northgate Blvd
Sarasota \ FL34234 \ USA
941-343-8115 \ www.fiberopticlighting.com

UFO Licht GmbH
Andreasstraße 20
93059 Regensburg \ Deutschland
+49 (0)9491 955880 \ www.ufo-licht.de