

PRODUCT SPECIFICATION SHEET

UFO P9 Paver



Rev. C2



Our range of classic paver fittings are all manufactured from hard wearing, corrosion resistant 316 stainless steel, and fitted with high quality toughened glass.

Available in a wide range of sizes, paver fittings can generally be used with fiber sizes ranging from 2mm up to 8mm diameter. This is dependant on the size of ferrule the fitting can accept.

All pavers are supplied in natural stainless steel and are most types are available with a choice of clear or frosted glass.

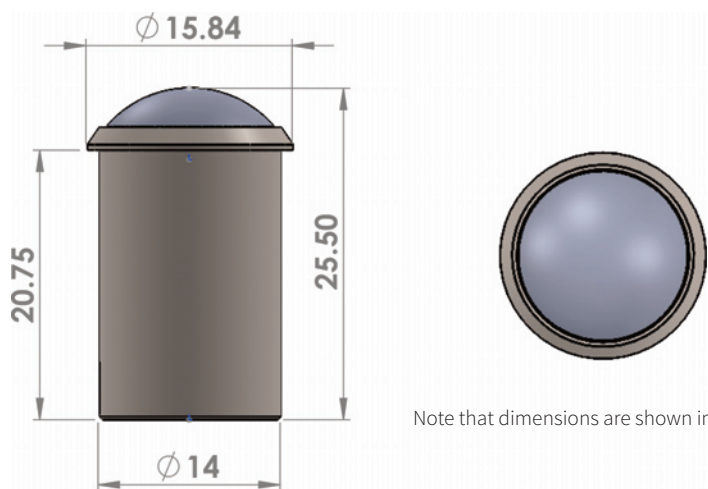
The P9 is a very small walkover round paver with a 15.8mm (0.62") diameter flange and a total depth of 22.5mm (0.89"). Fitted with a 13mm (0.51") diameter, domed, toughened glass front which can be supplied in either clear or frosted versions

TECHNICAL INFORMATION

Lens	13mm (0.51"), clear or frosted
Beam angle	20° - 40°
Material	316 Stainless steel
Finishes available	Stainless steel
Weight	13.3g (0.03lb)
Mounting hole size	15mm (0.59")
Ferrule size	M8 or M10
Min. fiber size	2mm
Max. fiber size	6mm (M8) or 8mm (M10)

ORDERING CODES

MODEL	LENS		FERRULE SIZE	
UFO P9	Clear	C	M8	M8
	Frosted	F	M10	M10
UFO P9				



Note that dimensions are shown in mm



Universal Fibre Optics Ltd
Home Place \ Coldstream
TD12 4DT \ UK
+44 (0)1890 883416 \ www.ufo.lighting

Universal Fiber Optic Lighting USA, LLC
1749 Northgate Blvd
Sarasota \ FL34234 \ USA
941-343-8115 \ www.fiberopticlighting.com

UFO Licht GmbH
Andreasstraße 20
93059 Regensburg \ Deutschland
+49 (0)9491 955880 \ www.ufo-licht.de