

Pill Lights

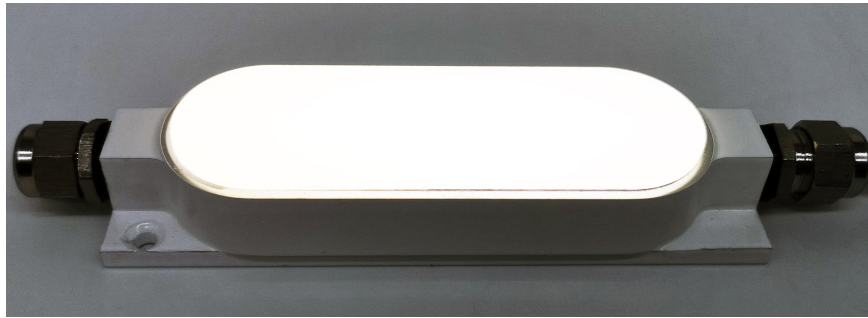
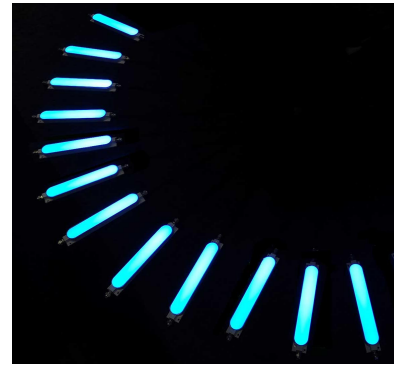
Product Overview

UFO Pill lights, with an inner core of PMMA fiber have been successfully used as decorative floor lighting in a number of entertainment venues - from cruise ships to high end hotels.

Manufactured from aluminum, the Pill light bodies are painted white and fitted with glands at either end. PMMA fiber is fed in through one gland and through a protective acrylic tube. The gland on the other end is used to hold a mirror which reflects the light from the fibre to increase the brightness of the light.

The Pill lights are then filled with Electrolube UR5635 resin which both hides the fiber inside the body and provides a diffusing effect. The resin finish sits proud of the body by 2mm. During installation, the Pill lights are fixed to the floor using the 2 mounting holes. The surrounding floor is then poured up to the level of the resin.

The result is well defined pill shaped decorative or functional marker light, which is perfectly level with the surrounding floor, and is robust enough to be used in walk over situations.



Specifications

Pill Body Material	Aluminium
Pill Body Finish	White as standard
Fibre	21 strand PMMA
Gland Size	M10
Available Sizes (see drawings on next page)	100mm, 200mm & 300mm
Mounting Method	M4 CSK screws x 2
Inner Tube	Clear Acrylic
Resin	Electrolube UR5636



Electrolube UR5635 Resin

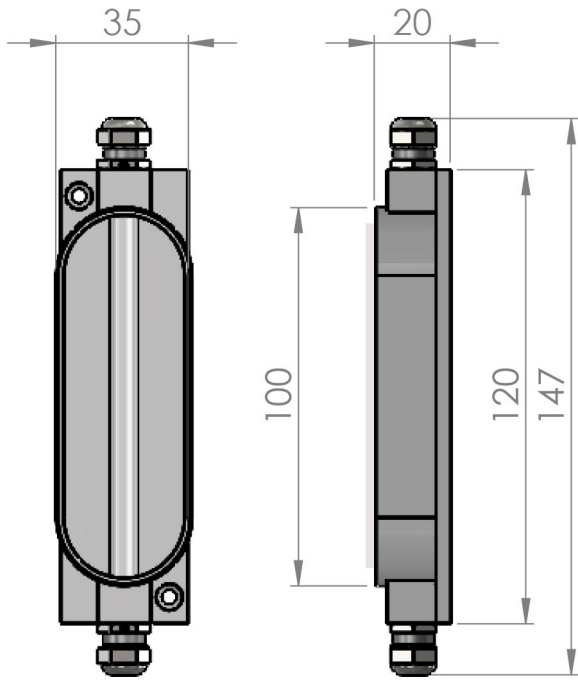
UR5635 is a two-part, semi-rigid polyurethane resin formulated with a 'hazy/cloudy' appearance. The product is ideal for use in protective applications, particularly for dispersing light. Due to a carefully selected blend of components an extremely durable, low viscosity system is achieved which can be used for a wide variety of applications.

- Hazy/cloudy white translucent appearance; ideal for dispersing light
- 1:1 by volume mix ratio; aids ease of processing
- Does not contain IPDI; low hazard material
- High resistance to weather/UV, acids and alkalis, water and mould growth; suitable for a range of environments

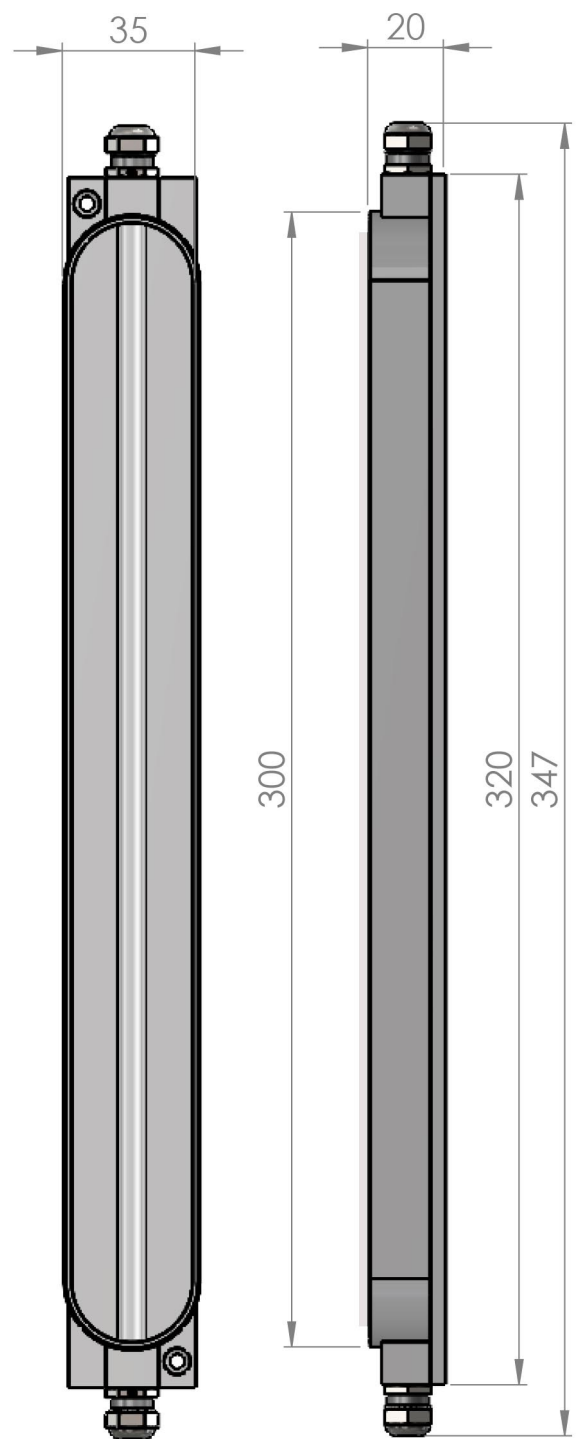
Resin - Cured Properties

Thermal Conductivity (W/m.K)	0.30
Cured Density (g/ml)	1.10
Temperature Range (°C)	-40 to +120
Dielectric Strength (kV/mm)	11
Volume Resistivity (ohm-cm)	10 ¹⁴
Shore Hardness	A80
Color (Mixed System)	Hazy/Cloudy White
Flame Retardancy	No
Loss Tangent @ 50 Hz	0.025
Permittivity @ 50 Hz	3.50
Elongation At Break	62.4%
Water Absorption (9.7mm thick disk, 51mm diameter) 10 days @ 20°C / 1 hour @ 100°C	<1% / <1%

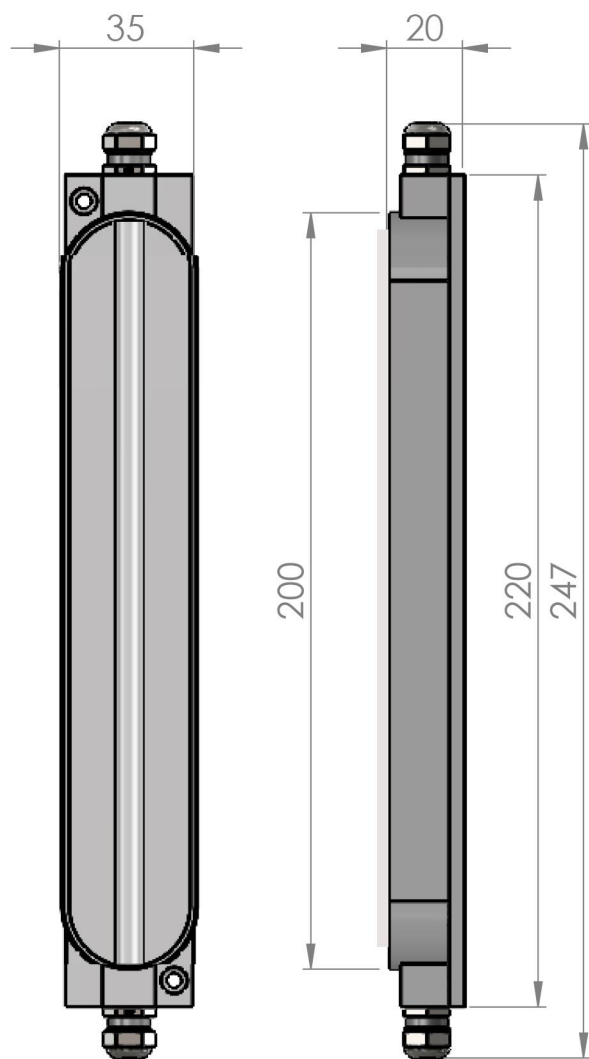
Dimensions - 100mm Pill Light



Dimensions - 300mm Pill Light



Dimensions - 200mm Pill Light



Note that the CAD drawings show the inner tube which holds the fibre. When the Pill lights are filled with resin this tube and the fibre is not visible.

All dimensions are shown in mm.

