

PRODUCT SPECIFICATION SHEET

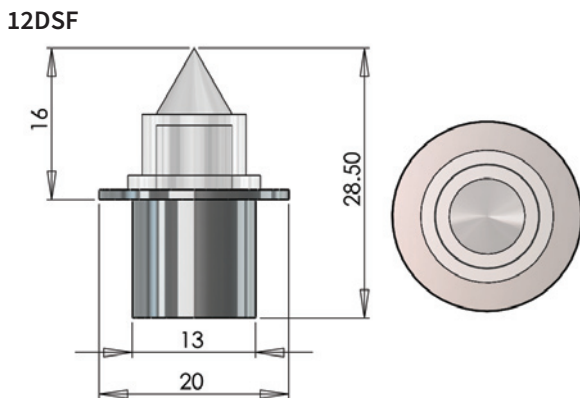
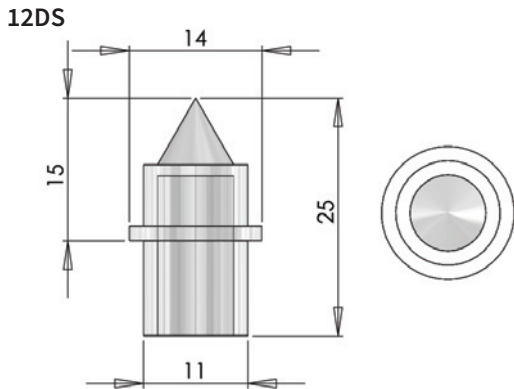


Rev. C1

UFO 12DS / 12DSF Sparkle Fitting



An acrylic sparkle point for an 8mm smooth ferrule. Manufactured from clear acrylic, the UFO 12DS is supplied as a sparkle bullet only. The 12DSF is identical but has an additional colored flange.



Note that dimensions are shown in mm

TECHNICAL INFORMATION

Description	12DS	12DSF
Material	Acrylic	Acrylic & Polycarbonate
Finish	Clear	Clear body with colored flange in black or white
Size	14mm (0.55")	20mm (0.79")
Weight	1.3g (0.003lb)	2.1g (0.005lb)
Mounting hole size	11mm (0.43")	13mm (0.51")
Ferrule size	8mm smooth	8mm smooth
Min. fiber size	2mm	2mm
Max. fiber size	6mm	6mm

ORDERING CODES (12DS)

MODEL	MATERIAL	FINISH	FERRULE SIZE
UFO 12DS	Acrylic AC	Clear CL	8mm 8mm
UFO 12DS			

ORDERING CODES (12DS/F)

MODEL	MATERIAL	FLANGE FINISH	FERRULE SIZE
UFO 12DSF	Acrylic/Poly AC	Black BL White WH	8mm 8mm
UFO 12DSF			



Universal Fibre Optics Ltd
Home Place \ Coldstream
TD12 4DT \ UK
+44 (0)1890 883416 \ www.ufo.lighting

Universal Fiber Optics USA LLC
1749 Northgate Blvd
Sarasota \ FL34234 \ USA
941-343-8115 \ www.fiberopticlighting.com

UFO Licht GmbH
Andreasstraße 20
93059 Regensburg \ Deutschland
+49 (0)9491 955880 \ www.ufo-licht.de