

PRODUCT SPECIFICATION SHEET



Rev. C1

UFO Mushroom Lens



Small round lens, similar to the UFO Star Lens but with a hole all the way through for star effects. Has a dome shaped profile. Supplied with a back washer which can be optionally fitted. Makes it easier to drill the holes required for small fibers from 0.75mm to 1.5mm, while giving a sharper look to the light than the UFO Star Lens.

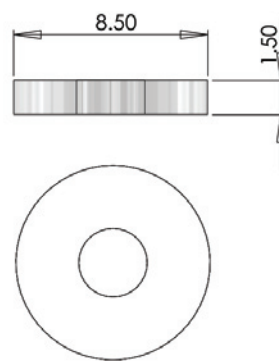
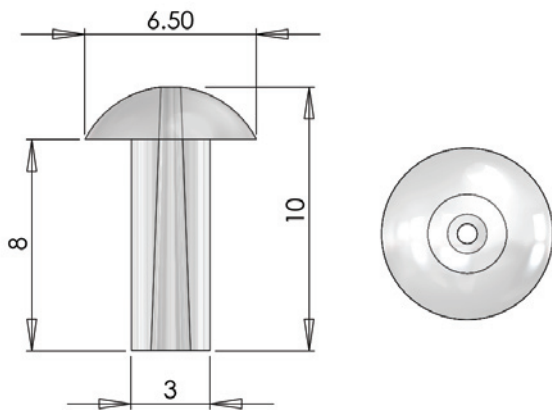
This fitting does not allow as a good a seal as the Star Lens when used in damp areas. The optional clear washer effectively expand the diameter of the lens where uneven holes have been drilled.

TECHNICAL INFORMATION

Material	Acrylic
Finish	Clear (also in white for 1mm fibre)
Size	6.5mm (0.25")
Weight	0.1g (0.0002lb)
Mounting hole size	3mm (0.12")
Fiber size	0.75mm, 1mm, 1.5mm polymer

ORDERING CODES

MODEL	MATERIAL	FIBRE SIZE	FINISH
UFO ML	Acrylic AC	0.75mm 75	Clear CL
		1mm 1	White WH
		1.5mm 15	
UFO ML			



Note that dimensions are shown in mm



Universal Fibre Optics Ltd
Home Place \ Coldstream
TD12 4DT \ UK
+44 (0)1890 883416 \ www.ufo.lighting

Universal Fiber Optics USA LLC
1749 Northgate Blvd
Sarasota \ FL34234 \ USA
941-343-8115 \ www.fiberopticlighting.com

UFO Licht GmbH
Andreasstraße 20
93059 Regensburg \ Deutschland
+49 (0)9491 955880 \ www.ufo-licht.de