

# PRODUCT SPECIFICATION SHEET



Rev. C3

## UFO Sauna Star Fitting



### TECHNICAL INFORMATION

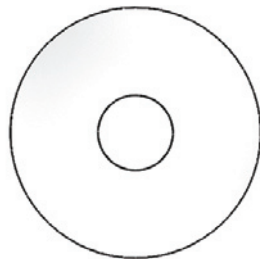
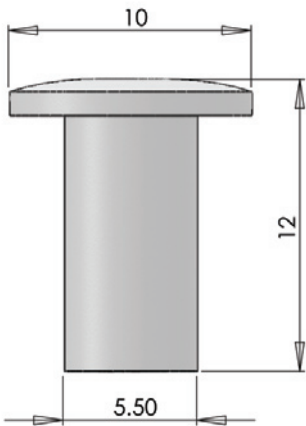
Material	Polycarbonate
Finish	Black, white, silver
Flange size	10mm (0.39")
Weight	0.4g (0.0009lb)
Mounting hole size	6mm (0.24")
Fiber size	1.0mm glass

Small star effect fittings made from polycarbonate for creating star effects within saunas and other wet or humid areas.

For use with 1.0mm glass fiber fitted with a 3mm crimped ferrule.

### ORDERING CODES

MODEL	MATERIAL		FINISH	
UFO SS	Polycarbonate	PL	Black	BL
			White	WH
			Silver	SI
UFO SS				



Note that dimensions are shown in mm



Universal Fibre Optics Ltd  
Home Place \ Coldstream  
TD12 4DT \ UK  
+44 (0)1890 883416 \ www.ufo.lighting

Universal Fiber Optics USA LLC  
1749 Northgate Blvd  
Sarasota \ FL34234 \ USA  
941-343-8115 \ www.fiberopticlighting.com

UFO Licht GmbH  
Andreasstraße 20  
93059 Regensburg \ Deutschland  
+49 (0)9491 955880 \ www.ufo-licht.de