

PRODUCT SPECIFICATION SHEET



Rev. C1

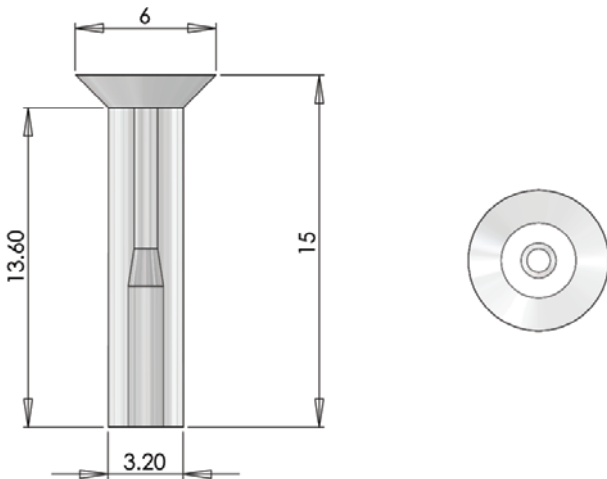
UFO Sparkle Flush Lens



A miniature lens made from acrylic for 0.75mm, 1mm or 1.5mm fibre. Suitable for use in floors and decking, indoors and out. Can also be set into stone or mortar for star paving effects.

Needs only a countersunk hole. For outdoor use we recommend using sheathed 1mm fiber for protection.

Not as suitable for ceilings as the fiber is slightly recessed and will not be as visible from head height unless the ceiling is quite high.



Note that dimensions are shown in mm

TECHNICAL INFORMATION

Material	Acrylic
Finish	Clear
Size	5.65mm (0.22")
Weight	0.2g (0.0004lb)
Mounting hole size	3.2mm (0.13")
Fiber size	0.75mm, 1mm, 1.5mm PMMA

ORDERING CODES

MODEL	MATERIAL	FIBRE SIZE	FINISH
UFO SFL	Acrylic AC	0.75mm 75	Clear CL
		1mm 1	
		1.5mm 15	
UFO SFL			



Universal Fibre Optics Ltd
Home Place \ Coldstream
TD12 4DT \ UK
+44 (0)1890 883416 \ www.ufo.lighting

Universal Fiber Optics USA LLC
1749 Northgate Blvd
Sarasota \ FL34234 \ USA
941-343-8115 \ www.fiberopticlighting.com

UFO Licht GmbH
Andreasstraße 20
93059 Regensburg \ Deutschland
+49 (0)9491 955880 \ www.ufo-licht.de