

PRODUCT SPECIFICATION SHEET



Rev. C1

UFO E3 Submersion Fitting



A large submersible eyeball fitting. Suitable for mounting in Certikin CP2 2" ABS pool pipe with an internal diameter of 53mm (2.09"). Unlike the E1 & E2 fittings, the E3 does not require a separate back box. Accepts larger fiber than E2 fitting which is better for swimming pools.

A water resistant bung is also available for fitting in the opposite end of the pool pipe to provide extra protection against water ingress.

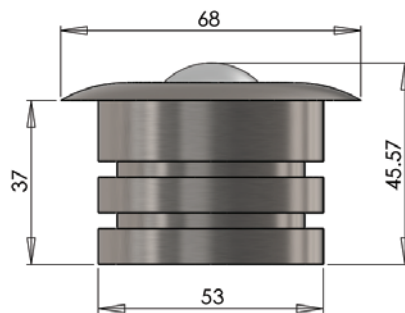
Our submersible eyeball fitting range are suitable for installation in constant immersion settings such as swimming pools, ponds and water features.

Mainly used to provide side-lighting they project a beam of light from the mounting surface through the water.

Use of a separate backbox means that they can be pre-fitted when concrete is being poured or retro fitted into existing stone or concrete. A wide flange allows superior sealing against smooth surfaces. The eyeball part of the fitting is sealed against water ingress with an o-ring compressed by a locking ring.

TECHNICAL INFORMATION	
Lens	26mm (1.02") focusing eyeball lens
Focus range	20° - 40°
Material	Stainless steel
Finishes available	Natural
Weight	569.3g (1.25lb)
Flange size	68mm (2.68")
Ferrule size	M10
Min. fiber size	2mm
Max. fiber size	8mm

ORDERING CODES						
MODEL	MATERIAL		FINISH		FERRULE SIZE	
UFO E3	Stainless Steel	SS	Natural	N	M10	M10
UFO E3	SS		N		M10	



Note that dimensions are shown in mm

