

PRODUCT SPECIFICATION SHEET

UFO E4 Submersion Fitting



Rev. C1



A large submersible eyeball fitting manufactured from stainless steel with a front mounted flat lens and a rear adjustable ball. Suitable for fitting into certikin CP2 2" ABS pool pipe for more accurate and easier installation.

Our submersible eyeball fitting range are suitable for installation in constant immersion settings such as swimming pools, ponds and water features.

Mainly used to provide side-lighting they project a beam of light from the mounting surface through the water.

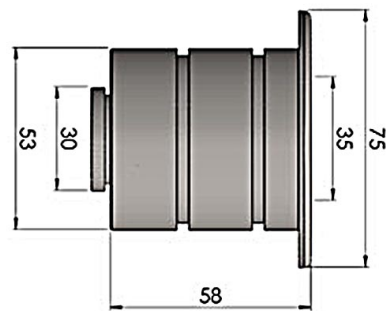
Use of a separate backbox means that they can be pre-fitted when concrete is being poured or retro fitted into existing stone or concrete. A wide flange allows superior sealing against smooth surfaces. The eyeball part of the fitting is sealed against water ingress with an o-ring compressed by a locking ring.

TECHNICAL INFORMATION

Lens	36mm (1.42") clear lens with rear adjustable ball
Material	Stainless steel
Finishes available	Natural
Weight	681g (1.5lb)
Flange size	75mm (2.95")
Ferrule size	M10 or 8mm smooth
Min. fiber size	2mm
Max. fiber size	8mm

ORDERING CODES

MODEL	MATERIAL	FINISH	FERRULE SIZE
UFO E4	Stainless Steel SS	Natural N	M10 M10 8mm 8mm
UFO E4			



Note that dimensions are shown in mm



Universal Fibre Optics Ltd
Home Place \ Coldstream
TD12 4DT \ UK
+44 (0)1890 883416 \ www.ufo.lighting

Universal Fiber Optic Lighting USA, LLC
1749 Northgate Blvd
Sarasota \ FL34234 \ USA
941-343-8115 \ www.fiberopticlighting.com

UFO Licht GmbH
Andreasstraße 20
93059 Regensburg \ Deutschland
+49 (0)9491 955880 \ www.ufo-licht.de