

PRODUCT SPECIFICATION SHEET



UFO 17T Submersion Fitting



TECHNICAL INFORMATION

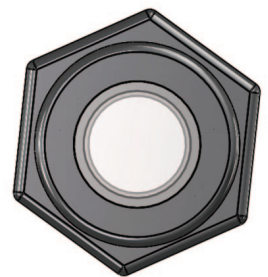
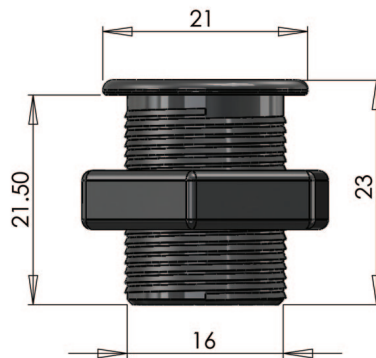
Lens	13mm (0.51") lens, clear or frosted
Material	Stainless steel
Finishes available	Natural
Weight	12g (0.03lb)
Flange size	21mm (0.79")
Ferrule size	M8 or M10
Min. fiber size	2mm
Max. fiber size	8mm

A small, round wet area paver manufactured from stainless steel with a clear glass focusing lens. This fitting has a threaded body and is supplied with a backnut to allow fixing through a thin substrate.

The P17T fitting is popular in spa pools and baths where the nut can be used to fix it through the typically thin surface of either. Whilst this fitting can be used in constant immersion conditions, it is not suitable for installation where it will be under significant pressure.

ORDERING CODES

MODEL	MATERIAL	FERRULE SIZE	LENS
UFO 17T	Stainless Steel SS	M8 M8	Clear C
		M10 M10	Frosted F
UFO 17T			



Note that dimensions are shown in mm



Universal Fibre Optics Ltd
Home Place \ Coldstream
TD12 4DT \ UK
+44 (0)1890 883416 \ www.ufo.lighting

Universal Fiber Optic Lighting USA, LLC
1749 Northgate Blvd
Sarasota \ FL34234 \ USA
941-343-8115 \ www.fiberopticlighting.com

UFO Licht GmbH
Andreasstraße 20
93059 Regensburg \ Deutschland
+49 (0)9491 955880 \ www.ufo-licht.de