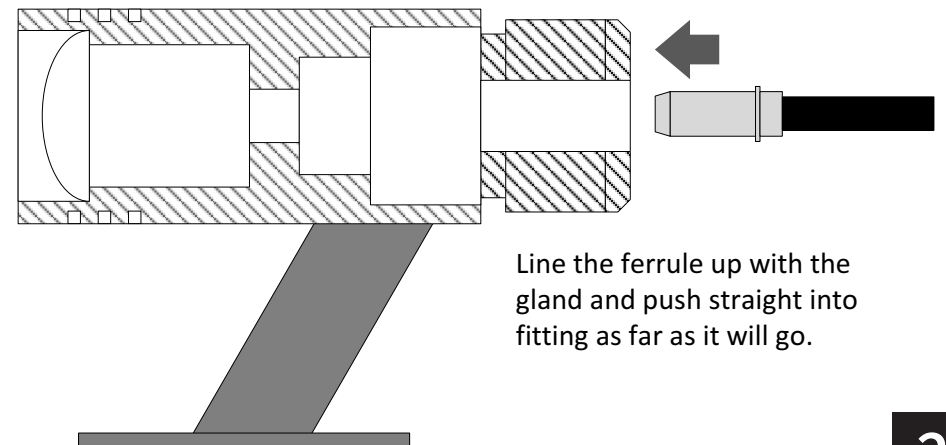


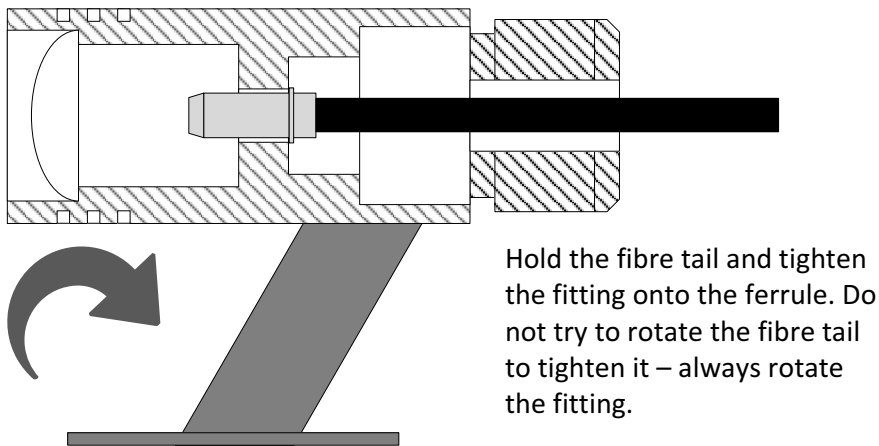
Loosen the gland at the back of the fitting so that it is wide enough to allow the fibre optic ferrule to pass through.

1



Line the ferrule up with the gland and push straight into fitting as far as it will go.

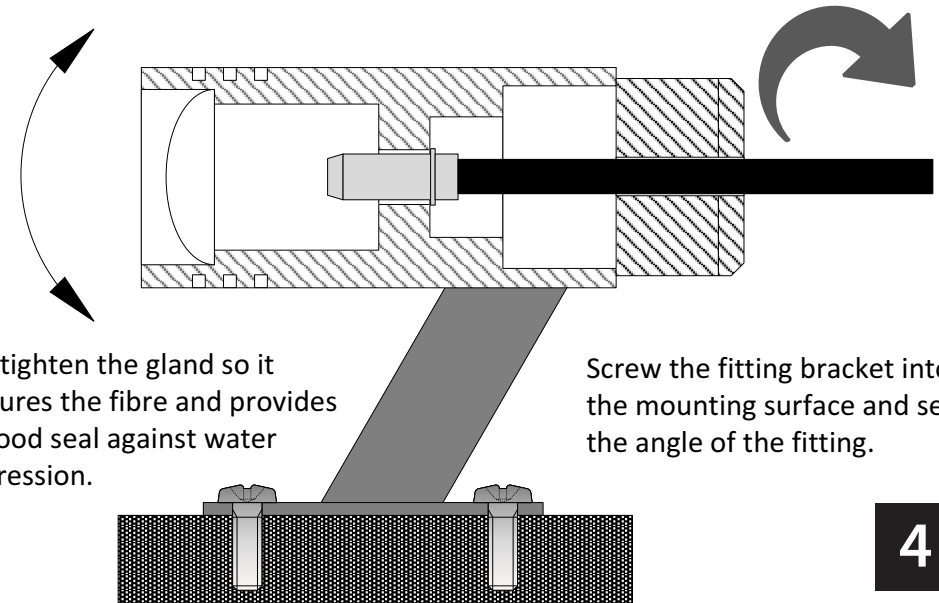
2



Hold the fibre tail and tighten the fitting onto the ferrule. Do not try to rotate the fibre tail to tighten it – always rotate the fitting.

3

It is sometime difficult to screw the fitting onto the ferrule with th gland in place. In this case the gland can be removed after the ferrule has been pushed through and reattached after the ferrule is tightened.



Re-tighten the gland so it secures the fibre and provides a good seal against water ingression.

Screw the fitting bracket into the mounting surface and set the angle of the fitting.

4

Note that this guide is indicative only. Installation of these fittings is dependant on the surface they are being installed in and local environmental conditions.