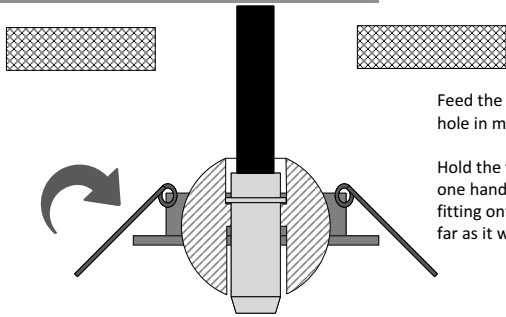


# FIBRE OPTIC DOWNLIGHT FITTING GUIDE UFO 20D



## HOLE CUTOUT SIZE

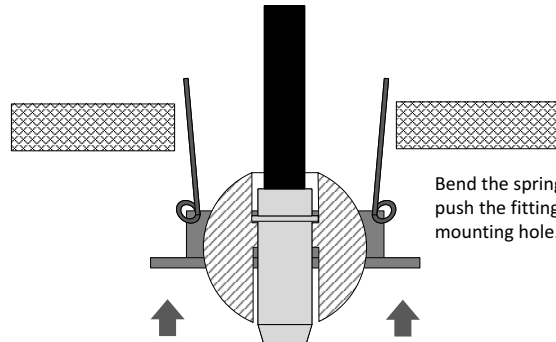
20D  $\varnothing$  30mm / 1.18"



Feed the fibre tail through hole in mounting surface.

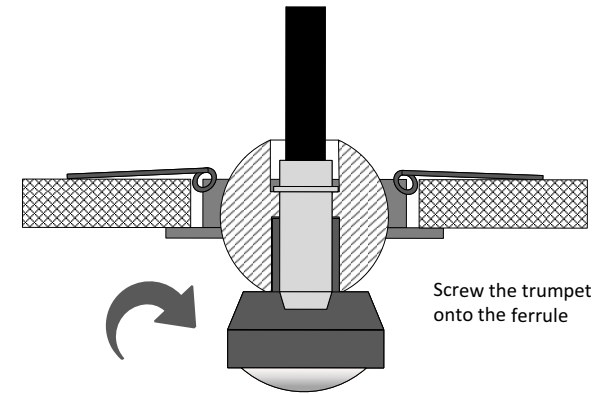
Hold the fibre optic tail in one hand and screw the fitting onto the ferrule as far as it will go.

1



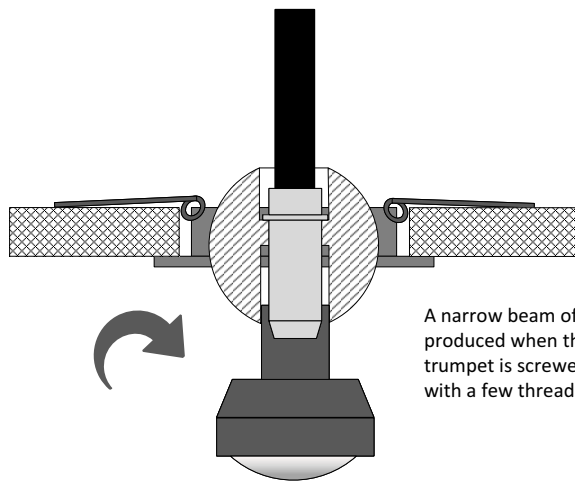
Bend the springs back and push the fitting into the mounting hole.

2



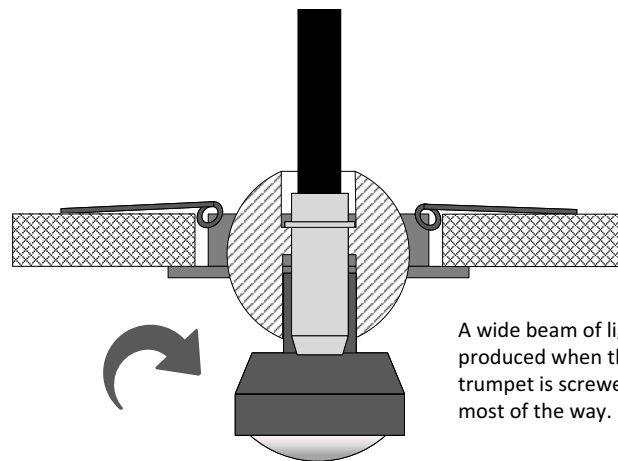
Screw the trumpet onto the ferrule

3



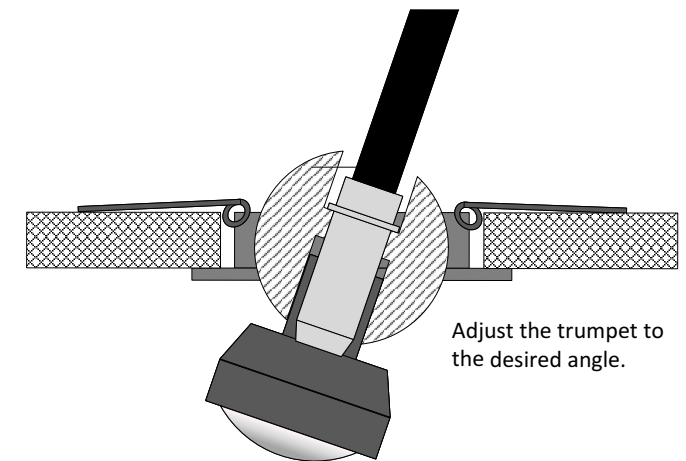
A narrow beam of light is produced when the trumpet is screwed on with a few threads.

4



A wide beam of light is produced when the trumpet is screwed on most of the way.

5



Adjust the trumpet to the desired angle.

6

Note that this guide is indicative only. Installation of these fittings is dependant on the surface they are being installed in and local environmental conditions.

find us online: [uk]www.ufo.lighting

[usa]www.fiberopticlighting.com

[de]www.ufo-licht.de