

LP5 LED Paver

TECHNICAL SPECIFICATIONS	
LED Type	Oslon Square
LED Power	1W @ 350mA 1.5W @ 500mA*
Power Connection	Screw terminal
Colour Temp, CRI & Lumens Opt. 2	3000K, 83 lm/w >96 CRI
Colour Temp, CRI & Lumens Opt. 3	4000K, 89 lm/w >95 CRI
Lens Options	15° or 51°
LED Life	>50,000h
Operating Environment	IP65 rated for indoor or outdoor use
Min. Ambient Temperature	-10°C
Max. Ambient Temperature	+40°C
Material	Aluminium or 316 stainless steel
Max Fitting Cable Length (28AWG)	10m (32.8')

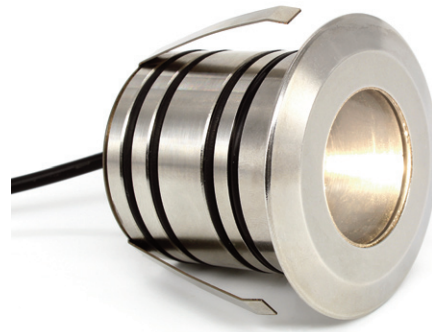
Notes:

Maximum cable length is defined by no discernable reduction in light output.

*500mA variant not for use in USA or Canada

QUICKSTART GUIDE

UFO LP5 LED PAVER



Please read the user guide carefully before installing, operating or performing maintenance on these devices.



Universal Fibre Optics Ltd
Home Place Coldstream
TD12 4DT UK
+44 (0)1890 883416 | www.ufo.lighting

Universal Fiber Optic Lighting, LLC
1749 Northgate Blvd
Sarasota FL 34234 USA
941-343-8115 | www.fiberopticalighting.com

UFO Licht GmbH
Andreasstraße 20
93059 Regensburg Deutschland
+49 (0)9491 955880 | www.ufo-licht.de

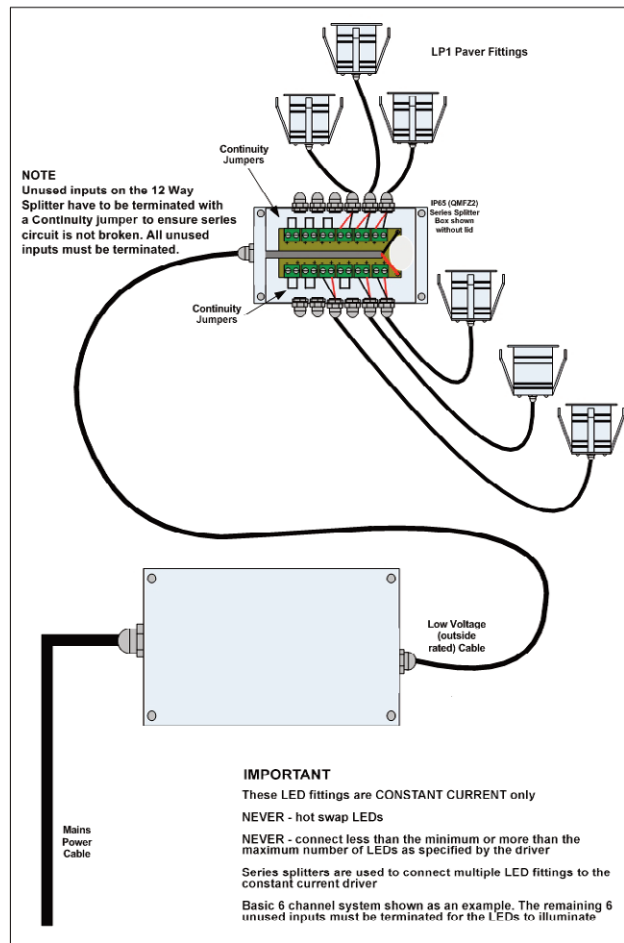
LP5 LED Paver

Troubleshooting Guide

Problem	Probable Causes	Test & Remedy
Constant Current System System is dead - no light output from LED's	Mains supply off	Check supply and reinstate.
	Loose mains plugs	Check plugs.
	Loose DC output wire or connection	Check all connections.
	Splitter LED channel not terminated	Check all splitter channels have LED fittings plugged in or have continuity jumpers fitted. Plug in LED's and/or jumpers
Constant Current System Some LED's not working	Failed LED	Using spare continuity plug unplug each LED fitting from the Splitter in turn and replace with continuity jumper. Replace failed LED and cable
	Failed LED	With Power off and Splitter cover removed, put DVM on Ohms across each LED in turn. On good LED should be $6M\Omega$ the other. Replace failed LED and cable
	Driver failed	Check output with DVM. With power ON and no LED's lit, DC voltage output to LED's should be at maximum
Constant Current System LED's on full illumination - not dimming	Failed joint/track on Splitter PCB - check continuity with DVM	Replace splitter
	Short circuit - damages cable between LED and splitter	Repair or replace.
Constant Current System LED's on full illumination - not dimming	LED short circuit	Replace LED and cable.
	Faulty or wrong connection at driver or dimmer control box	Check driver and dimmer connections. Replace/repair as necessary.
	Faulty dimmer potentiometer or damaged dimmer control cable	Remove dimmer control cable from dimmer. Check continuity of cable and dimmer pot. Replace/repair as necessary.
	Failed driver	Replace driver.

LP5 LED Paver

Schematic Showing Driver & Splitter



LP5 LED Paver

1

Introduction

Thank you for purchasing these low voltage UFO LED fittings.

Please read these instructions fully before installing your LED fittings, connecting your LED fittings to the splitter/driver and before connecting your display system to the electrical mains. Please keep this manual for future reference.

The UFO splitters are supplied with removable continuity jumpers. Retain these jumpers for future use.

Please refer to the specific section within this manual to ensure correct associated splitters/drivers/power supply units are used for your fittings.

These LED fittings are only mains dimmable with an appropriate mains dimmable constant current driver.

These LED fittings operate on a constant current driver low voltage supply. Constant current and constant voltage LEDs cannot be intermixed on the same driver. Please refer to the specific section within this guide for wiring/connection guidance.

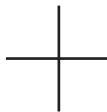
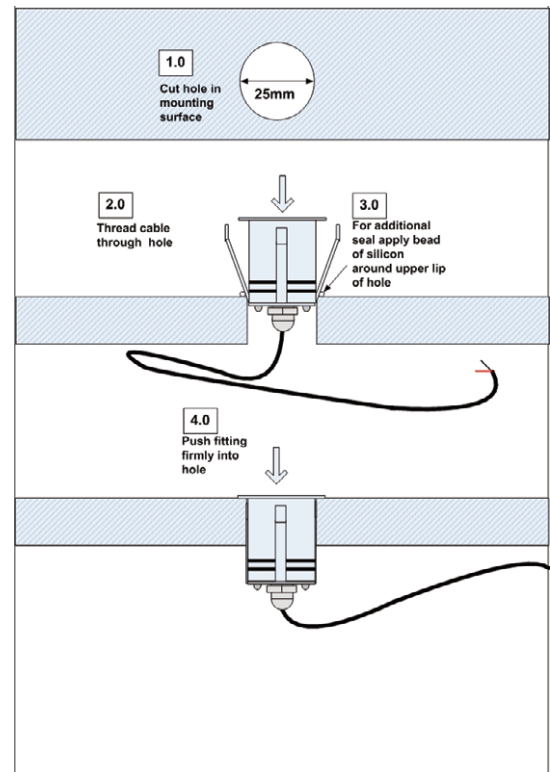
LP5 LED Paver

3

LP5 Fitting Guide

LP5 Pavers are constant current LED fittings.

Before assembly, unpack the shipment and check that all components are included before commencing your installation. It is recommended that the system be planned prior to work commencing to ensure the Series Splitter is centrally located to match LED fitting cable lengths. Fit all LP5 fittings in place as detailed below.



LP5 LED Paver

2

Safety Guidelines

WARNING – Connecting constant current LED fittings to a driver with excessive minimum voltage output will result in catastrophic damage to the LED devices within these fittings. Always check the minimum output voltage of the driver and ensure that based on 3.2V per LED an adequate number of fittings are connected prior to powering up the system.

WARNING – Hot swapping constant current LED fittings to a driver may result in catastrophic damage to the LED devices within these fittings. Always power down the driver before adding a constant current LED fitting.

These LED pavers are IP rated and are suitable for installation in both indoor or outdoor, damp or wet locations.

IMPORTANT

THIS PRODUCT MUST BE INSTALLED IN ACCORDANCE WITH THE APPLICABLE INSTALLATION CODE BY A PERSON FAMILIAR WITH THE CONSTRUCTION AND OPERATION OF THE PRODUCT, ITS COMPONENT PARTS AND THE HAZARDS INVOLVED.

ELECTRICAL WIRING AND CONNECTION MUST BE CARRIED OUT BY A SUITABLY QUALIFIED PERSON OBSERVING ALL LOCAL AND STATUTORY ELECTRICAL REGULATIONS.

LP5 LED Paver

4

Connections

The fittings are suitable for use with a constant current driver only.

- 350mA or 500mA output (depending on territory)
- Rated Class 2 or LPS
- Approvals UL/CE
- Protection - Short Circuit/Over load/ Over voltage
- Minimum voltage rating not to exceed the number of LED fittings connected
- Number of LED fittings connected not to exceed the Maximum voltage rating

There are 4 electrical connections required before connecting the system to the mains.

1. Connect **ALL** LED fittings to the input channels of the Series Splitter.
2. Make sure **ALL** unused Series Splitter channels have continuity link jumpers fitted
3. Connect the Series Splitter directly to the Constant Current Driver.
4. Connect the electrical supply to the driver. Switch on power, the LED fittings will illuminate.

If no light is produced, consult the TROUBLESHOOTING section.